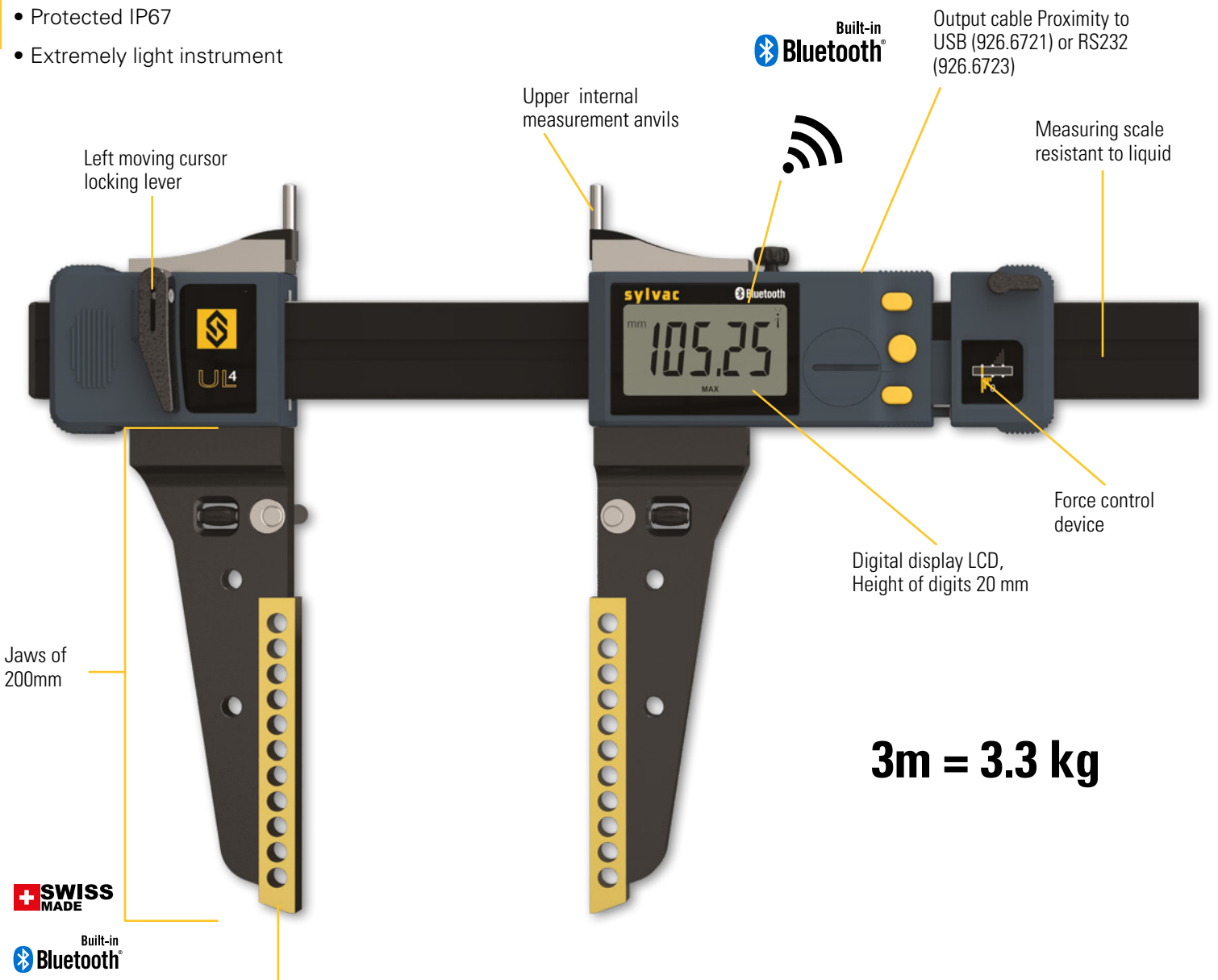


Ultra light caliper

UL4

DESCRIPTION

- Ultra light caliper for external and internal measurements
- **Integrated Bluetooth® wireless technology**
- New Series with extra large display
- Aluminium beam reinforced by four stainless steel rods
- Long jaws 200 mm coated with titanium
- New carbide upper internal tips
- Measuring force applied control
- Protected IP67
- Extremely light instrument



3m = 3.3 kg

SWISS MADE

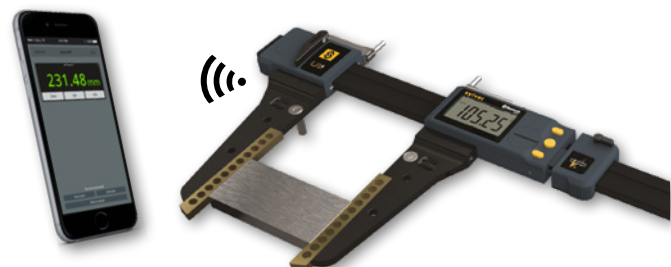
Built-in Bluetooth®

PROXIMITY

Stainless steel external jaws, thickness 8 mm, titanium coated

WATER RESISTANT

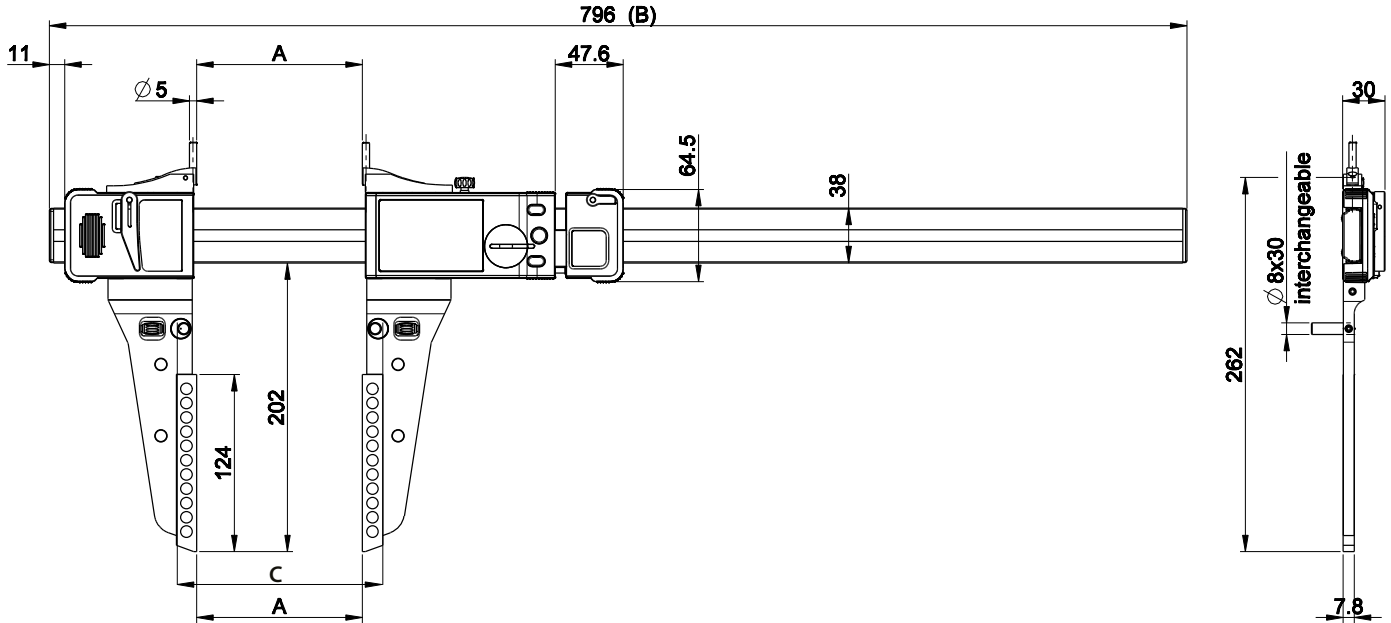
IP67



Ultra light caliper

UL4

DIMENSIONAL DRAWING



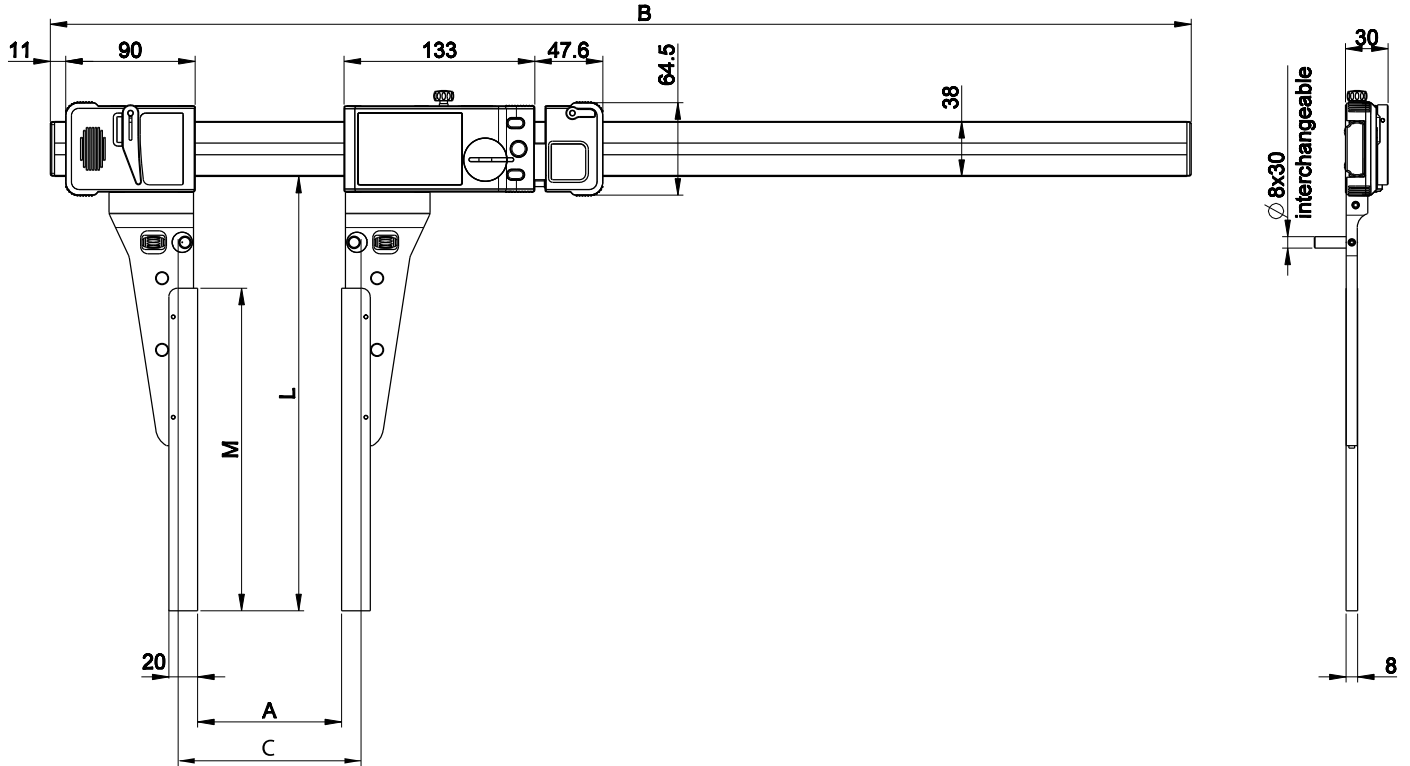
TECHNICAL SPECIFICATIONS

		811.1404	811.1406	811.1410	811.1415	811.1420	811.1425	811.1430
Measuring range	mm	400	600	1000	1500	2000	2500	3000
Max. Error	µm	30	40	50	90	120	150	200
Repeatability	µm	20				30		
Resolution	mm	0.01						
A	mm	0-478	0-683	0-1093	0-1608	0-2123	0-2638	0-3153
C	mm	27-505	27-710	27-1110	27-1635	27-2150	27-2665	27-3180
B	mm	796	1001	1411	1926	2441	2956	3471
Measuring Force	N	7.5 - 11.5 (±20%)						
Output data		Bluetooth® wireless technology* / RS232 / USB						
IP67 Protection		●						
Preset max.		±9999.99 mm / ±399.9995 IN						
Weight	kg	1.5	1.6	1.9	2.3	2.6	2.9	3.3
Setting by PC		●						
2 references		●						
Min/Max function		●						
Tolerance limit indicators		●						

Ultra light caliper

UL4

SPECIAL EXECUTIONS | SPECIAL JAWS TYPE A



TECHNICAL SPECIFICATIONS

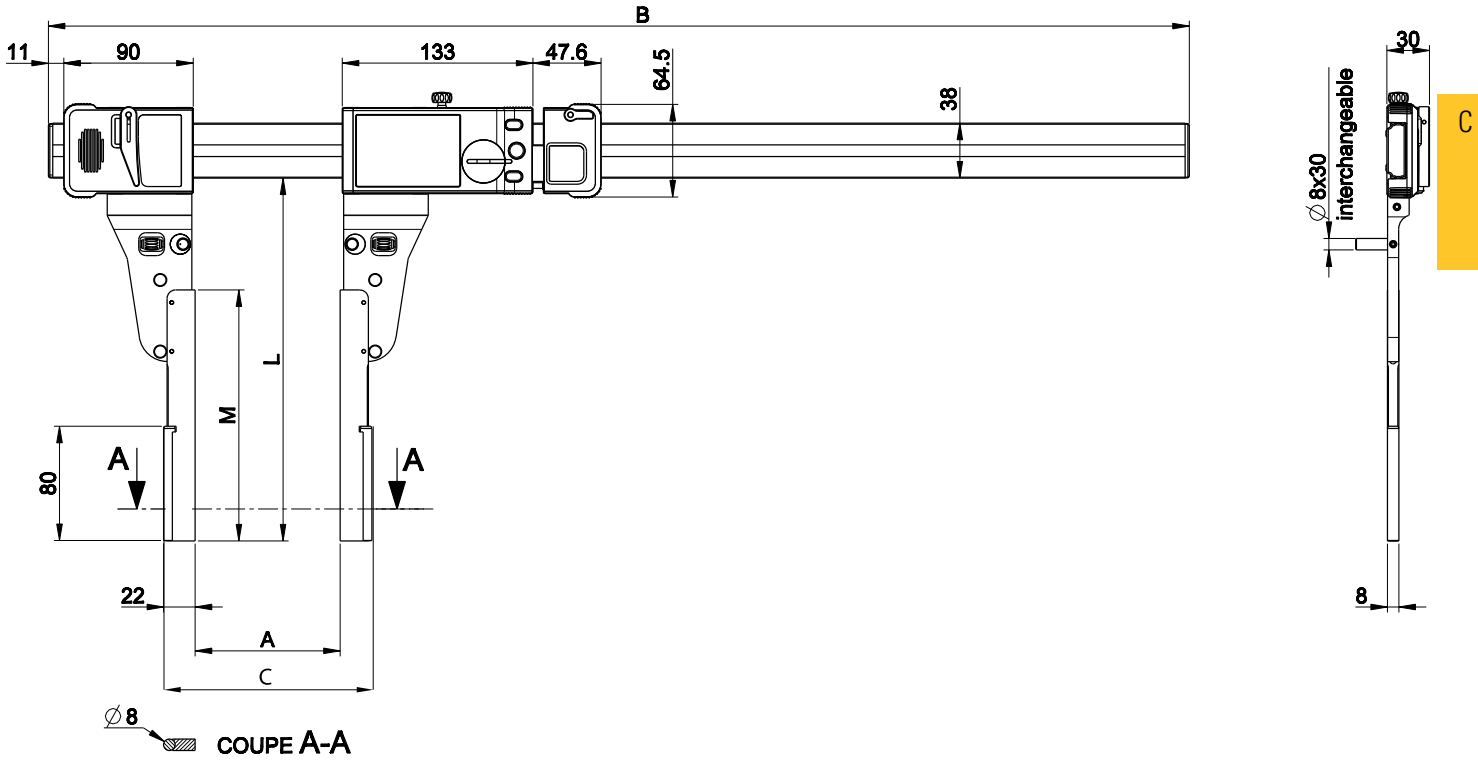
		811.2316.99	811.2317.99
Special jaws (pair)		Length L to specify with order (max 400 mm)	
L	mm	≤ 300	≤ 400
M	mm	L - 75	

		UL 400	UL 600	UL 1000	UL 1500	UL 2000	UL 2500	UL 3000
UL specification		Max. error. [µm] / Repeatability [µm]						
With Jaws 811.2316.99		40/20	50/20	70/20	130/30	180/40	220/40	320/40
With Jaws 811.2317.99		70/40	80/40	120/40	200/50	300/60	400/70	500/80
Measuring range	mm	400	600	1000	1500	2000	2500	3000
A	mm	0-478	0-683	0-1093	0-1608	0-2123	0-2638	0-3153
C	mm	27-505	27-710	27-1110	27-1635	27-2150	27-2665	27-3180
B	mm	796	1001	1411	1926	2441	2956	3471
Resolution	mm	0.01						

Ultra light caliper

UL4

SPECIAL EXECUTIONS | SPECIAL JAWS TYPE C



TECHNICAL SPECIFICATIONS

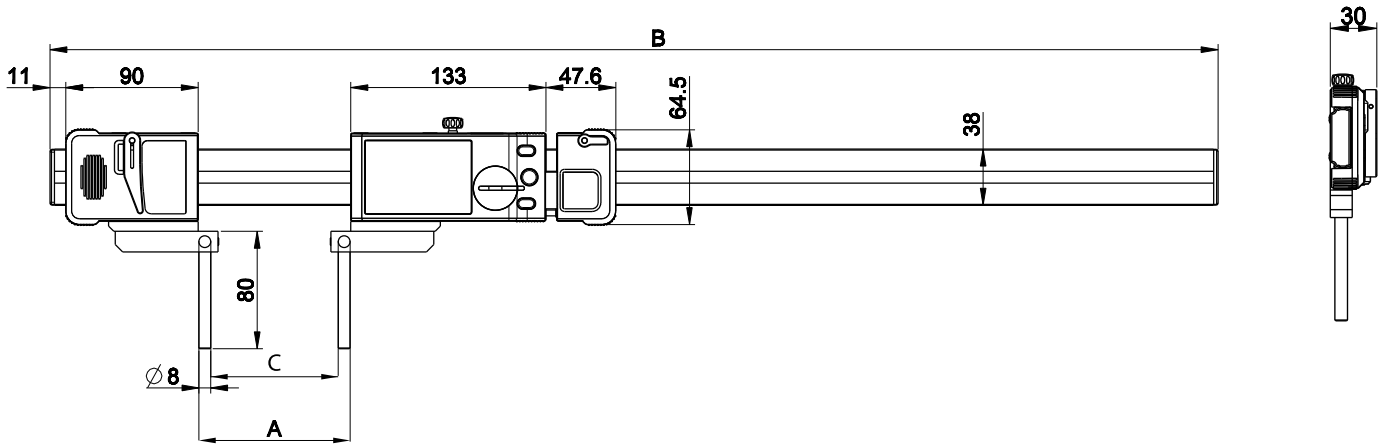
		811.2319.99
Special jaws (pair)		Lenght L to specify with order (max 300 mm)
L max	mm	300
M	mm	L - 75

		UL 400	UL 600	UL 1000	UL 1500	UL 2000	UL 2500	UL 3000
UL specification		Max. error. [μm] / Repeatability [μm]						
With Jaws \leq 200	mm	40/20	50/20	70/30	120/30	170/30	210/30	300/40
With Jaws \leq 300	mm	50/30	60/30	90/30	150/30	200/40	300/40	400/50
Measuring range	mm	400	600	1000	1500	2000	2500	3000
A	mm	0-478	0-683	0-1093	0-1608	0-2123	0-2638	0-3153
C	mm	44-522	44-727	44-1137	44-1652	44-2167	44-2682	44-3197
B	mm	796	1001	1411	1926	2441	2956	3471
Resolution	mm	0.01						

Ultra light caliper

UL H4

DIMENSIONAL DRAWING



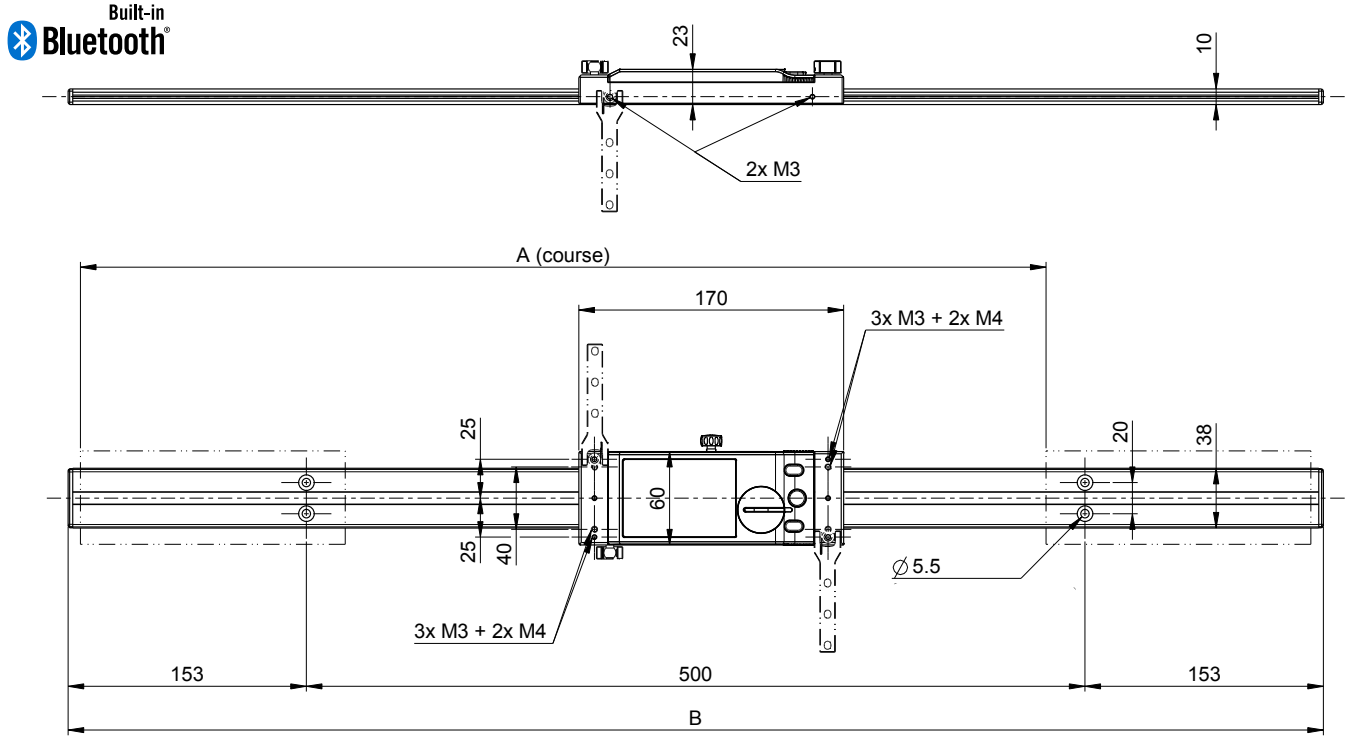
TECHNICAL SPECIFICATIONS

		811.8040	811.8060	811.8100	811.8150	811.8200	811.8250	811.8300
Measuring range	mm	400	600	1000	1500	2000	2500	3000
Max. Error	µm	30	40	50	90	120	150	200
Repeatability	µm	20			30			
Resolution	mm	0.01						
A	mm	26-480	26-685	26-1095	26-1610	26-2125	26-2640	26-3155
C	mm	10-464	10-669	10-1079	10-1594	10-2109	10-2624	10-3139
B	mm	796	1001	1411	1926	2441	2956	3471
Measuring Force	N	7.5 - 11.5 (±20%)						
Output data		Bluetooth® wireless technology* / RS232 / USB						
IP67 Protection		●						
Preset max.		±9999.99 mm / ±399.9995 IN						
Weight	kg	1.1	1.2	1.5	1.9	2.2	2.5	2.9
Setting by PC		●						
2 references		●						
Min/Max function		●						
Tolerance limit indicators		●						

Ultra light digital scale

UL D4

DIMENSIONAL DRAWING



TECHNICAL SPECIFICATIONS

		814.1510	814.1515	814.1520	814.1525	814.1530
Measuring range	mm	1000	1500	2000	2500	3000
Max. Error	μm	60	90	120	150	200
Repeatability	μm	20				
Resolution	mm	0.01				
A	mm	0 - 1120	0 - 1620	0 - 2120	0 - 2620	0 - 3120
B	mm	1306	1806	2306	2806	3306
Number range of raws		3	4	5	6	7
Output data		Bluetooth® wireless technology* / RS232 / USB				
IP67 Protection		●				
Preset max.		$\pm 9999.99 \text{ mm} / \pm 399.9995 \text{ IN}$				
Weight	kg	1.2	1.5	1.8	2.2	2.5
Setting by PC		●				
2 references		●				
Min/Max function		●				
Tolerance limit indicators		●				

Ultra light caliper

UL4

BASIC INSTRUMENT



UL4 Standard

- Instrument according to technical specifications
- Lithium battery CR2477 included
- Calibration certificate for UL up to 3000mm
- Upper internal measurement anvil (811.2323 - 2pcs)
- Universal base 811.2301
- Instruction manual

C



UL4 Special Jaws Type A

- Instrument according to technical specifications
- Lithium battery CR2477 included
- Special long jaws Type A (811.2316.99 or 811.2317.99)
- Length of jaws to specify when order (max. 400mm)
- Instruction manual



UL4 Special Jaws Type C

- Instrument according to technical specifications
- Lithium battery CR2477 included
- Special long jaws Type C (811.2319.99)
- Length of jaws to specify when order (max. 300mm)
- Instruction manual

Ultra light caliper

BASIC INSTRUMENT

C



ULH4

- Instrument according to technical specifications
- Lithium battery CR2477 included
- Calibration certificate for UL up to 3000mm
- Universal base 811.2301
- Anvil holder 811.2302
- Long cylindrical anvil Ø8x80mm (811.2324)
- Instruction manual



ULV4

- Instrument according to technical specifications
- Lithium battery CR2477 included
- Long cylindrical anvil Ø8x80mm (811.2324)
- Bridge 400mm or 600mm
- Instruction manual

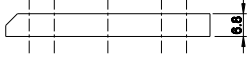
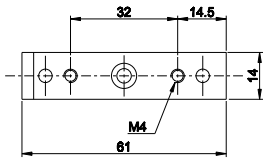
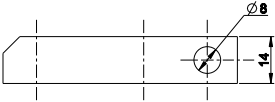
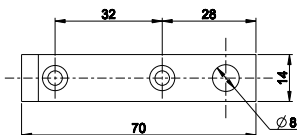
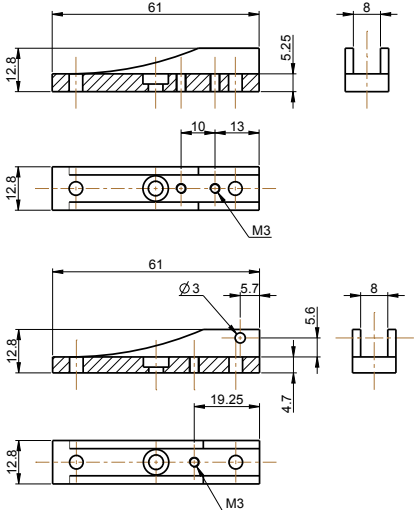
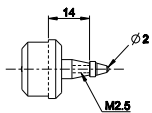


ULD4

- Instrument according to technical specifications
- Lithium battery CR2477 included
- Driving shaft
- Instruction manual

Ultra light caliper

ACCESSORIES

		UL4	UL H4	ULV4	ULD4
	811.2301				
	Universal base (2 pieces)	●	●		
	811.2302				
	Ø8 Anvil holder (2 pieces, to combine with 811.2301)	●	●		
	811.2303				
Accessories holder (2 different pieces)	●	●			
	811.2305				
Support with int. thread M 2.5 (2 pieces)	●				

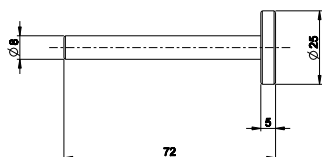
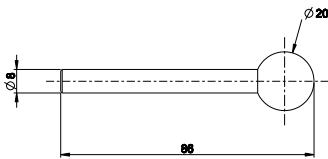
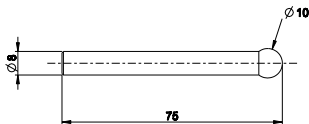
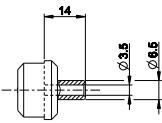
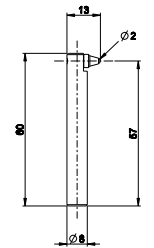
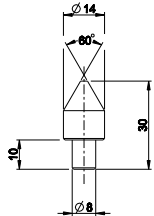
See also cables chapter

C

Ultra light caliper

ACCESSORIES

C








		UL4	UL H4	ULV4	UL D4
811.2307	Inserts in hardened steel, cone 60° for bore clearance measurement > 10 mm, (2 pieces)	●	●		
811.2309	Holder for dial gauge contact points for internal groove measurement, (2 pieces)	●	●		
811.2304	Thread anvils holders (2 pieces)	●			
811.2310	Anvil Ø10mm (2 pieces)	●	●		
811.2311	Anvil Ø20mm (2 pieces)	●	●		
811.2312	Anvil Ø25x5mm (2 pieces)	●	●		
811.6306	Wooden box for UL4 400 and 600mm	●	●		
811.6310	Wooden box for UL4 1000mm	●	●		
811.6315	Wooden box for UL4 1500mm	●	●		

See also cables chapter

Ultra light caliper

ACCESSORIES

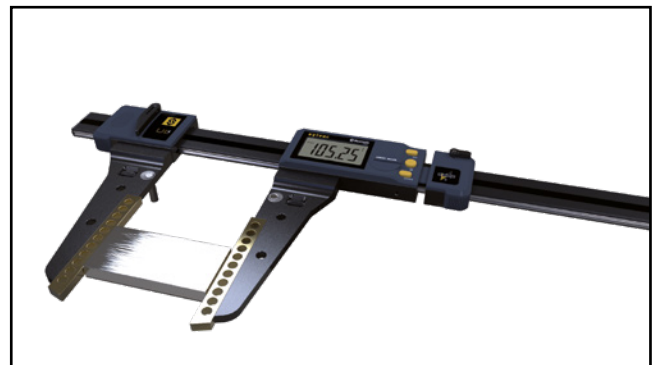
		UL4	UL H4	ULV4	UL D4
	811.2321 Lower plate for internal anvil (2 pieces) (for Bowers Unical's «L anvils»)	●	●		
	811.2322 Lower internal anvil (2 pieces)	●	●		
	811.2323 Upper internal measurement anvil (2 pieces)* (to combine with 811.2303)	●	●		
	811.2324 Long cylindrical anvil Ø8x80mm (2 pieces) (to combine with 811.2303)	●	●		
	811.2325 Cylindrical anvil Ø8x30mm (2 pieces)	●	●		

C

APPLICATIONS



Internal measure with UL4



External measure with UL4

