

# Caliper

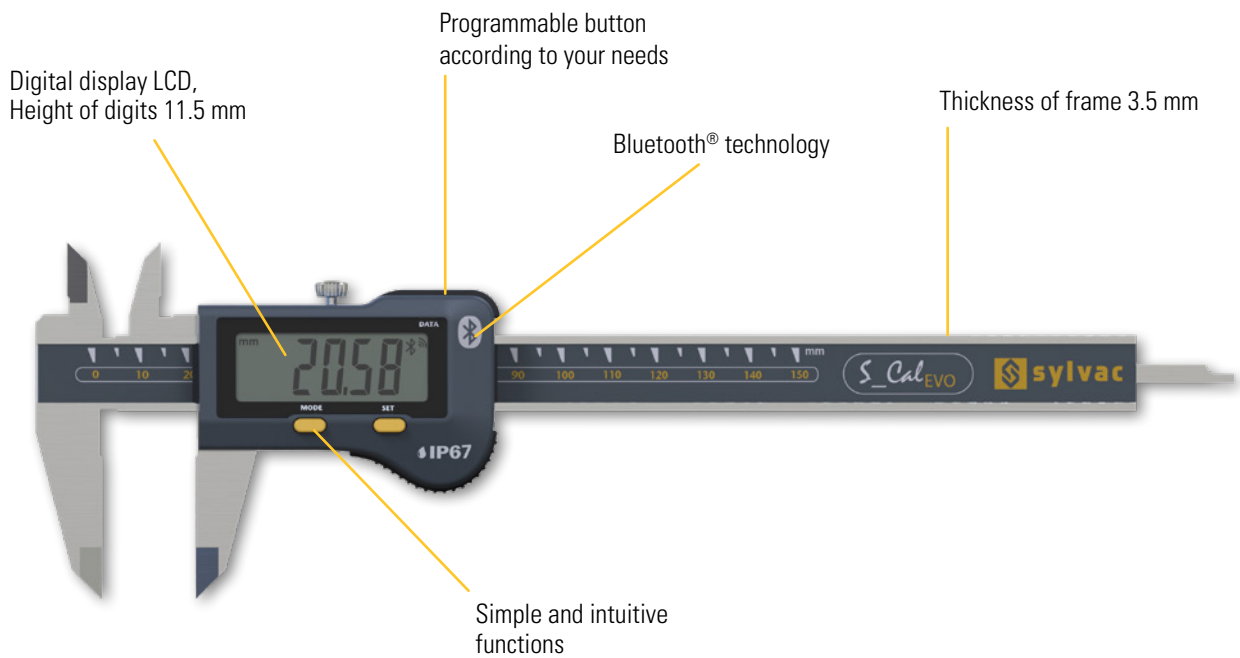
# S\_Cal EVO

## DESCRIPTION

SMART

- **Integrated Bluetooth® wireless technology**

- New extra-large display
- Programmable button according to your needs
- Water protected for heavy-duty work with coolants and lubricants, protection rating IP67 according to IEC 60529,
- Automatic wake-up by moving the electronic on his frame. (Absolute System S.I.S)
- Sleeping mode after 10 min. of no use. (Absolute System S.I.S)
- Position memorized in sleeping mode, **Absolute System S.I.S\***
- Maximum speed of displacement : 2.5 m/sec
- Mechanical frame in stainless steel, hardened and grinded
- Great comfort of use thanks to its ergonomic frame
- Thumb wheel on request (see accessories)



## Bluetooth® wireless technology and IP67 protection rating!

**SIS** Smart Inductive System



**IP67**



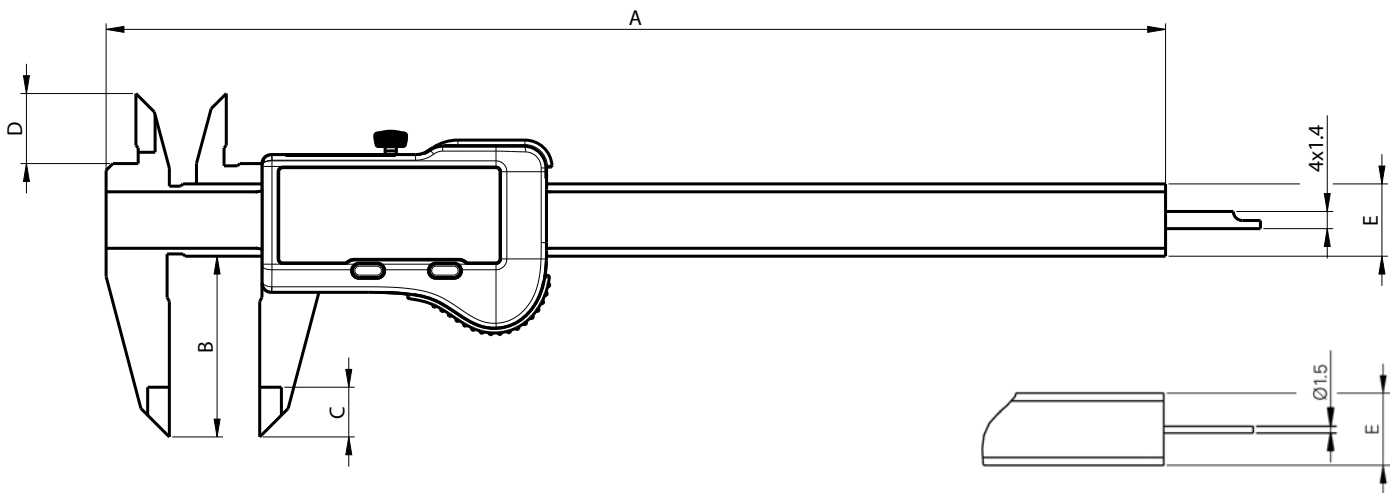
\* SIS description on page 5

# Caliper

# S\_Cal EVO

## DIMENSIONAL DRAWING

SMART



## TECHNICAL SPECIFICATIONS

		810.1506	810.1516	810.1526	810.1536
Measuring range	mm	150	150	200	300
Max. Error G	µm	20 <sup>1)</sup>	20 <sup>1)</sup>	30	30
A	mm	234.5	234.5	290.5	388
B	mm	40	40	50	64
C	mm	11	11	14	14
D	mm	16	16	19	19
E	mm	16 x 3.5	16 x 3.5	16 x 3.5	16 x 4
Depth rod	mm	■ 4 x 1.4	Ø 1.5	■ 4 x 1.4	---
Protection rating according to IEC 60529	IP67				
Output data	Bluetooth® wireless technology*				
Functions	Zero setting, Preset (max 999.99), mm/inch, Hold, Data				
Smart Inductive Sensor	●				

<sup>1)</sup> > 100 mm : 30 µm / DIN 862

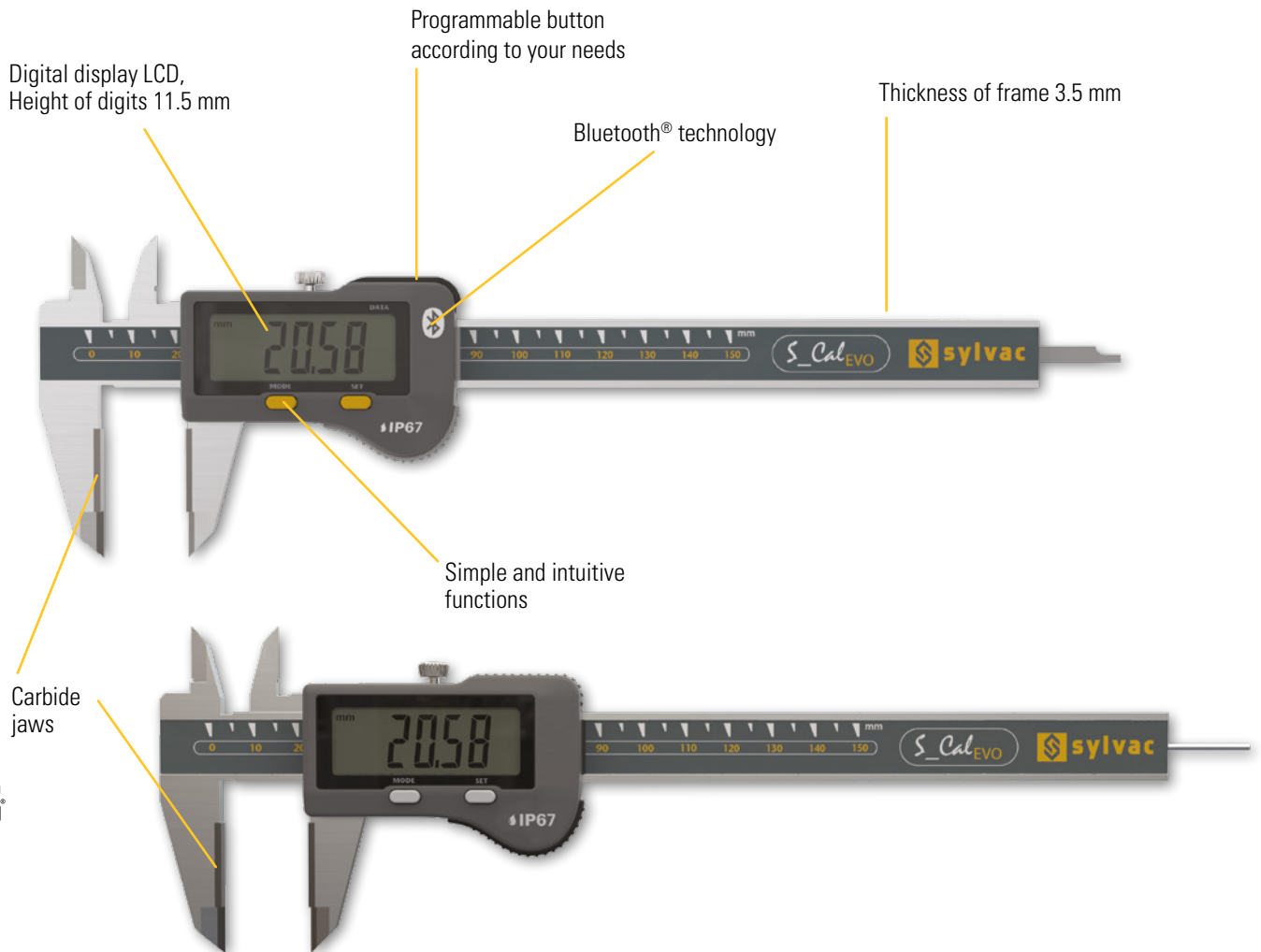
# Caliper

# S\_Cal EVO

## DESCRIPTION

CARBIDE

- **Integrated Bluetooth® wireless technology (depends on model)**
- **Carbide jaws**
- New extra-large display
- Programmable button according to your needs (depends on model)
- Automatic wake-up by moving the electronic on his frame. (Absolute System S.I.S)
- Sleeping mode after 10 min. of no use. (Absolute System S.I.S)
- Position memorized in sleeping mode, **Absolute System S.I.S\***
- Maximum speed of displacement : 2.5 m/sec
- Mechanical frame in stainless steel, hardened and grinded
- Great comfort of use thanks to its ergonomic frame
- Thumb wheel on request (see accessories)



**SIS** Smart Inductive System



**IP67**

**Carbide jaws**

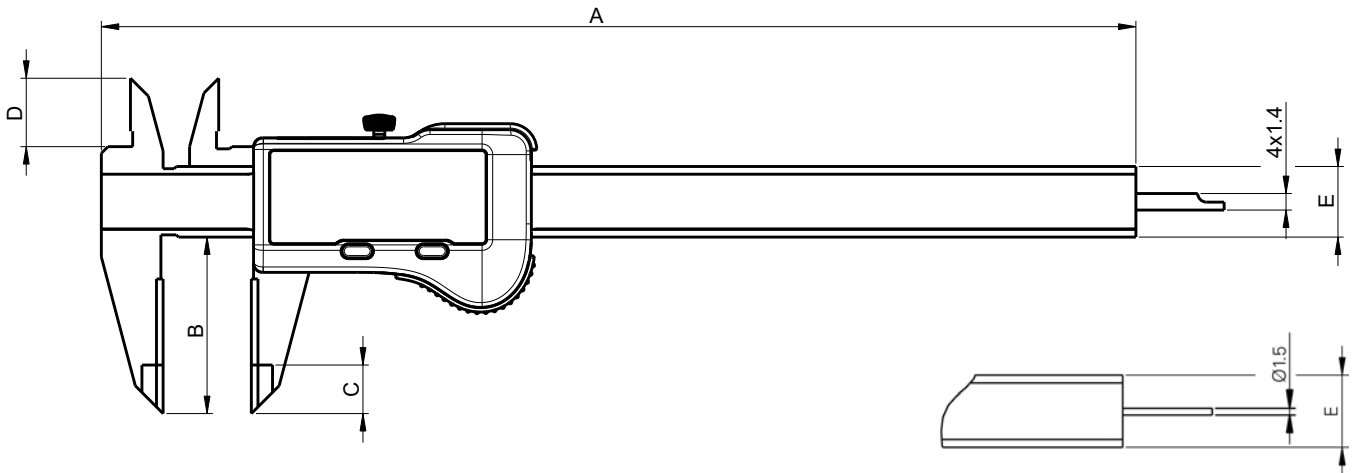
\* SIS description on page 5

# Caliper

# S\_Cal EVO

DIMENSIONAL DRAWING

CARBIDE



## TECHNICAL SPECIFICATIONS

		810.1409	810.1509
Measuring range	mm	150	150
Max. Error G	µm	20 <sup>1)</sup>	20 <sup>1)</sup>
A	mm	234.5	234.5
B	mm	40	40
C	mm	11	11
D	mm	16	16
E	mm	16 x 3.5	16 x 3.5
Depth rod	mm	Ø 1.5	4 x 1.4
Protection rating according to IEC 60529		IP67	IP67
Output data		-	Bluetooth® wireless technology*
Functions		Zero setting, Preset (max 999.99), mm/inch, Hold, Data	
Smart Inductive Sensor		●	

<sup>1)</sup> > 100 mm : 30 µm / DIN 862

\* see cables chapter

# Micron Caliper

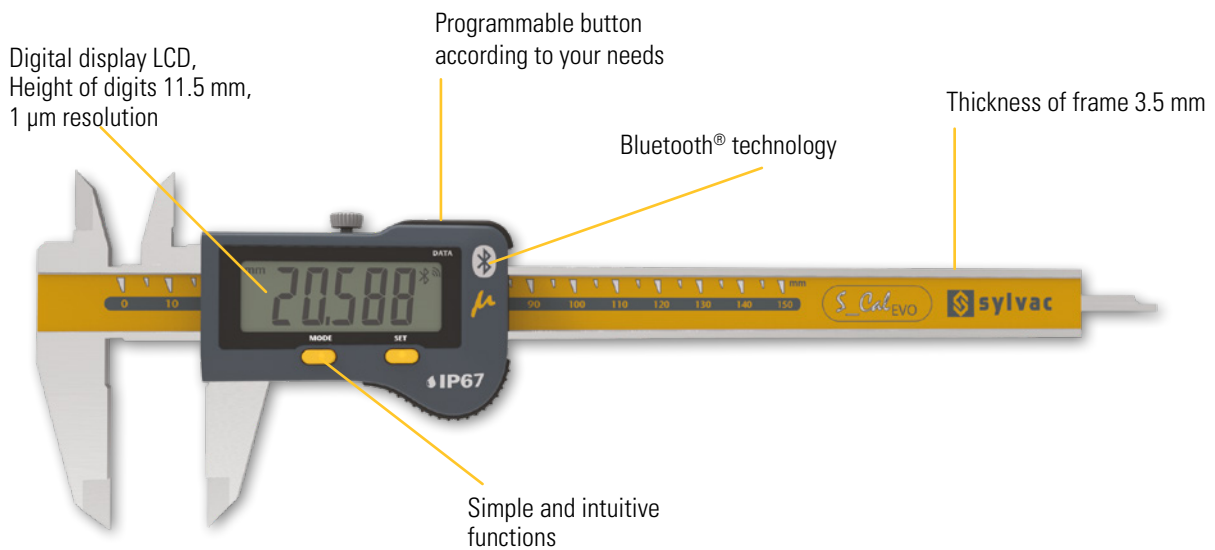
# S\_Cal EVO

## DESCRIPTION

## SMART MICRON

- **Integrated Bluetooth® wireless technology**

- New extra-large micron display
- Programmable button according to your needs
- Water protected for heavy-duty work with coolants and lubricants, protection rating IP67 according to IEC 60529,
- Automatic wake-up by moving the electronic on his frame. (Absolute System S.I.S)
- Sleeping mode after 10 min. of no use. (Absolute System S.I.S)
- Position memorized in sleeping mode, **Absolute System S.I.S\***
- Maximum speed of displacement : 2.5 m/sec
- Mechanical frame in stainless steel, hardened and grinded
- Great comfort of use thanks to its ergonomic frame
- Thumb wheel on request (see accessories)



**SIS** Smart Inductive System



**IP67**

**4µm repeatability**



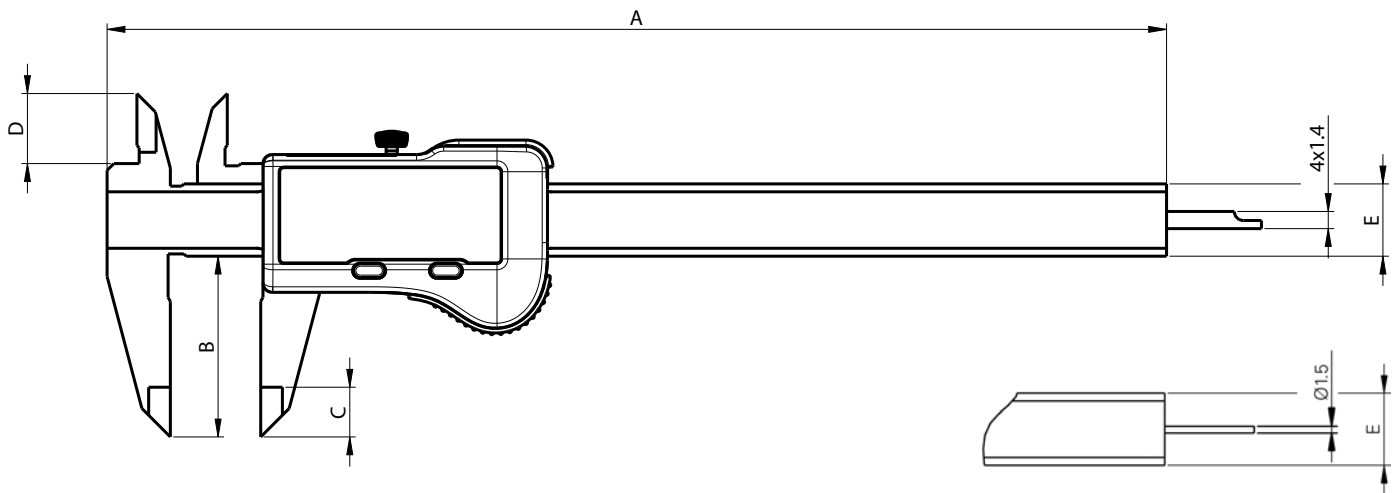
\* SIS description on page 5

# Micron Caliper

# S\_Cal EVO

DIMENSIONAL DRAWING

SMART MICRON



## TECHNICAL SPECIFICATIONS

		810.9506	810.9516
Measuring range	mm	150	150
Max. Error G	$\mu\text{m}$	15 <sup>1)</sup>	15 <sup>1)</sup>
Resolution	mm	0.001	
A	mm	234.5	234.5
B	mm	40	40
C	mm	11	11
D	mm	16	16
E	mm	16 x 3.5	16 x 3.5
Depth rod	mm	— 4 x 1.4	$\varnothing 1.5$
Protection rating according to IEC 60529		IP67	IP67
Output data		Bluetooth® wireless technology*	
Functions		Zero setting, Preset (max 999.99), mm/inch, Hold, Data	
Smart Inductive Sensor		●	

<sup>1)</sup> < 100 mm: 15  $\mu\text{m}$  / > 100 mm : 30  $\mu\text{m}$  / DIN 862

# Special caliper

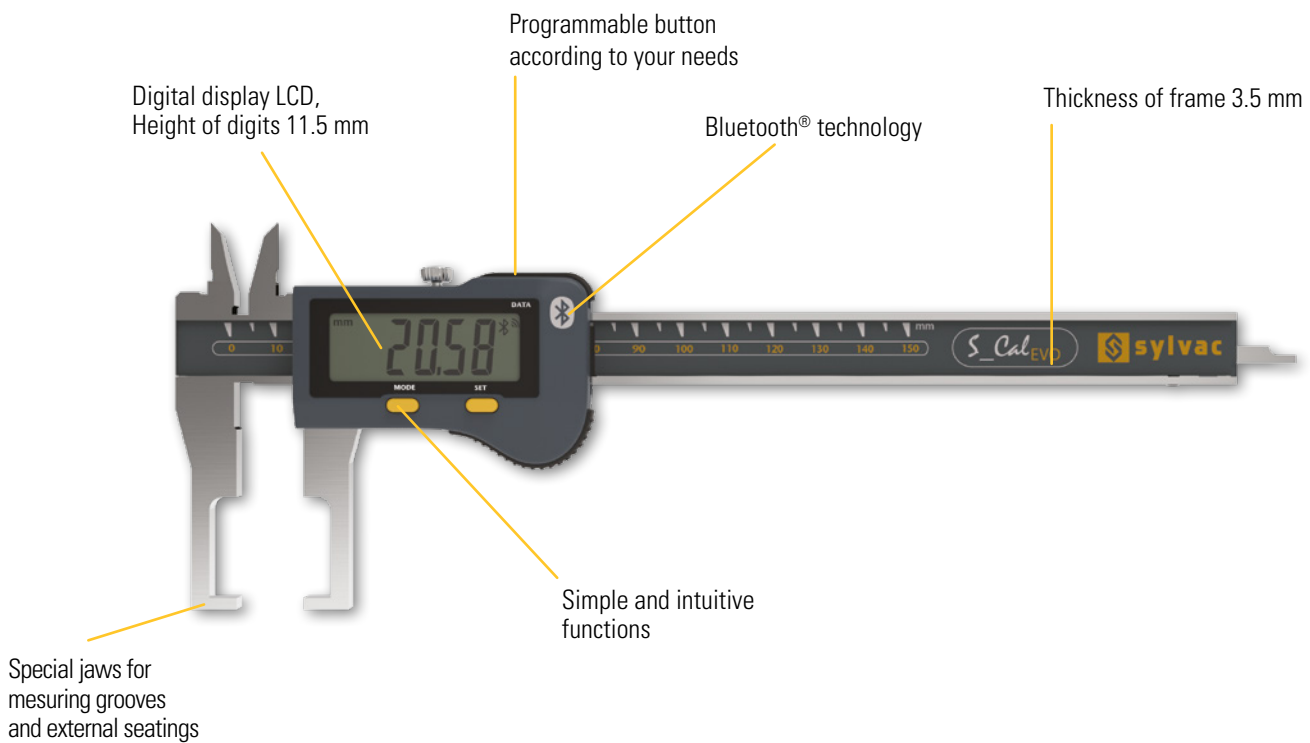
# S\_Cal EVO

## DESCRIPTION

## SMART EXTERNAL GROOVE

- **Integrated Bluetooth® wireless technology**

- Special jaws for measuring grooves and external seatings
- Programmable button according to your needs
- Water protected for heavy-duty work with coolants and lubricants, protection rating IP67 according to IEC 60529,
- Automatic wake-up by moving the electronic on his frame. (Absolute System S.I.S)
- Sleeping mode after 10 min. of no use. (Absolute System S.I.S)
- Position memorized in sleeping mode, **Absolute System S.I.S\***
- Maximum speed of displacement : 2.5 m/sec
- Mechanical frame in stainless steel, hardened and grinded
- Great comfort of use thanks to its ergonomic frame



\* SIS description on page 5

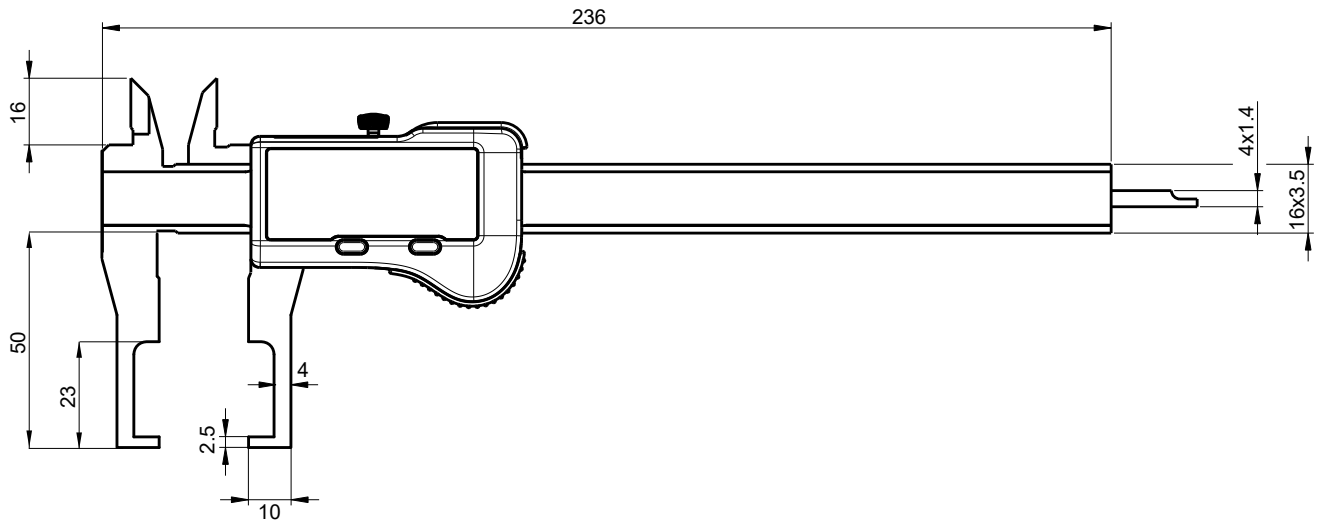
## For measuring grooves and external seatings

# Special caliper

# S\_Cal EVO

DIMENSIONAL DRAWING

SMART EXTERNAL GROOVE



C

## TECHNICAL SPECIFICATIONS

		<b>810.1602</b>
Measuring range	mm	150
Max. Error G	µm	20 <sup>1)</sup>
Depth rod	mm	■ 4 x 1.4
Protection rating according to IEC 60529		IP67
Output data		Bluetooth® wireless technology*
Functions		Zero setting, Preset (max 999.99), mm/inch, Hold, Data
Smart Inductive Sensor		●

<sup>1)</sup> > 100 mm : 30 µm / DIN 862



# Special caliper

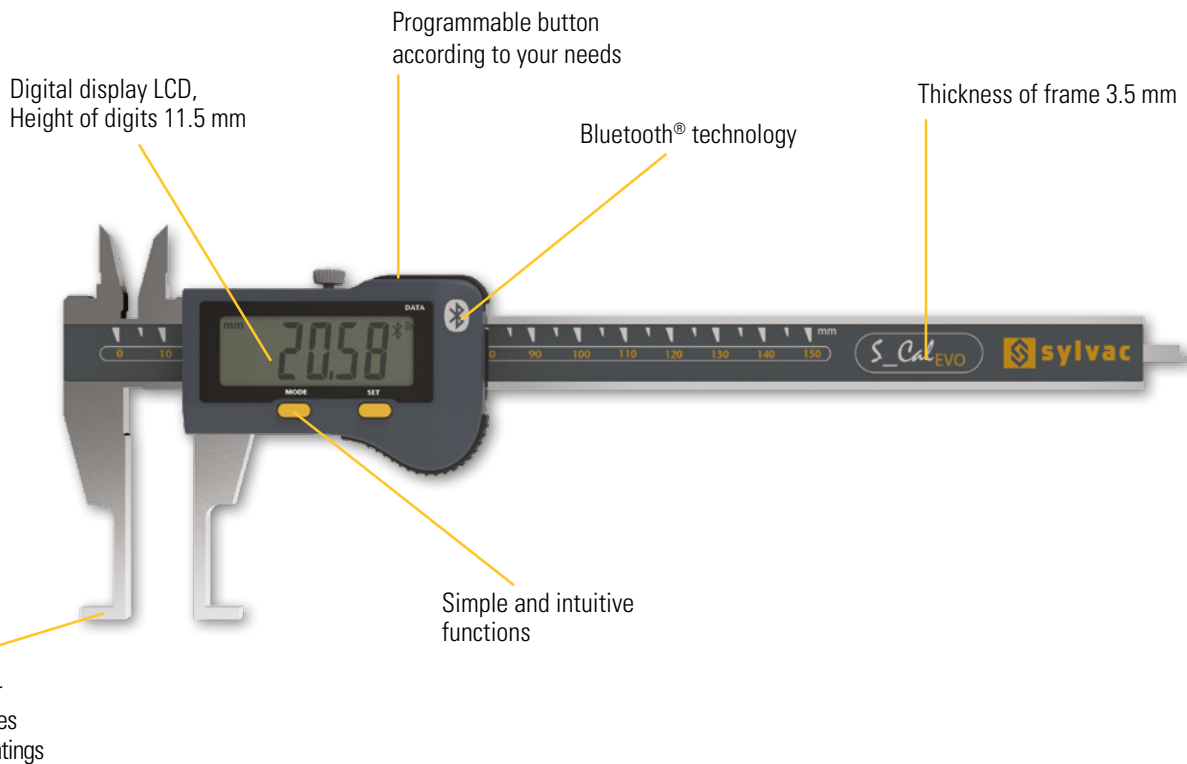
# S\_Cal EVO

## DESCRIPTION

## SMART INTERNAL GROOVE

- **Integrated Bluetooth® wireless technology**

- Special jaws for measuring grooves and internal seatings
- Programmable button according to your needs
- Water protected for heavy-duty work with coolants and lubricants, protection rating IP67 according to IEC 60529,
- Automatic wake-up by moving the electronic on his frame. (Absolute System S.I.S)
- Sleeping mode after 10 min. of no use. (Absolute System S.I.S)
- Position memorized in sleeping mode, **Absolute System S.I.S\***
- Maximum speed of displacement : 2.5 m/sec
- Mechanical frame in stainless steel, hardened and grinded
- Great comfort of use thanks to its ergonomic frame



**SIS** Smart Inductive System

## For measuring grooves and internal seatings



**IP67**

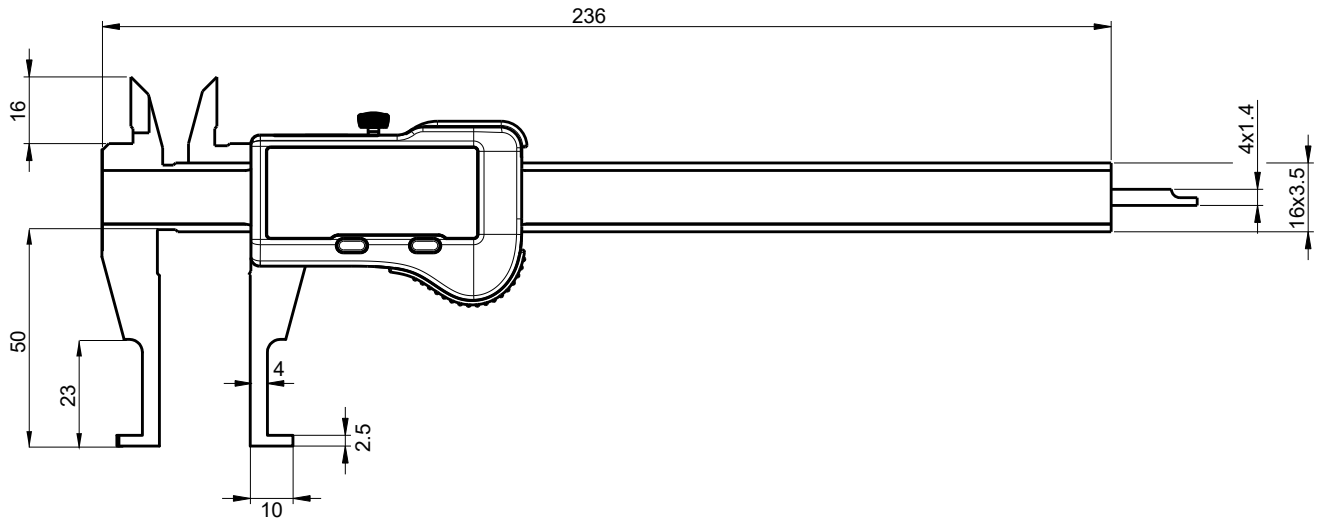
\* SIS description on page 5

# Special caliper

# S\_Cal EVO

DIMENSIONAL DRAWING

SMART INTERNAL GROOVE



C

## TECHNICAL SPECIFICATIONS

		<b>810.1600</b>
Measuring range	mm	150
Max. Error G	µm	20 <sup>1)</sup>
Depth rod	mm	— 4 x 1.4
Protection rating according to IEC 60529		IP67
Output data		Bluetooth® wireless technology*
Functions		Zero setting, Preset (max 999.99), mm/inch, Hold, Data
Smart Inductive Sensor		●

<sup>1)</sup> > 100 mm : 30 µm / DIN 862

# Special caliper

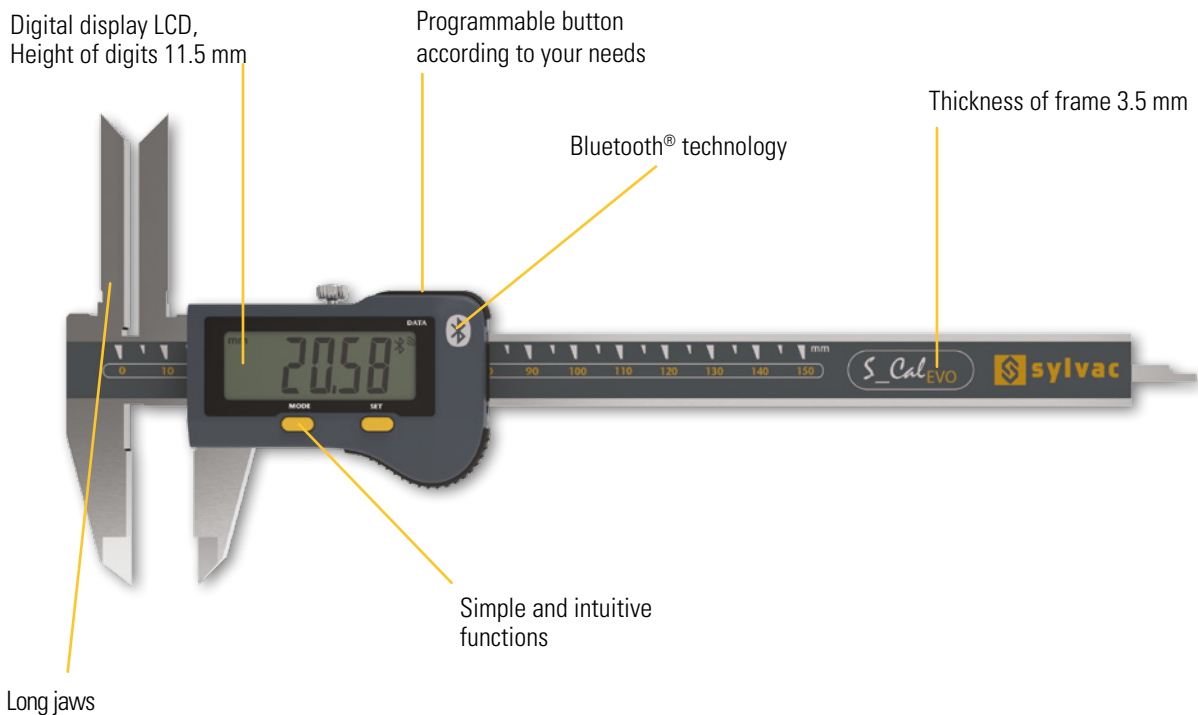
# S\_Cal EVO

## DESCRIPTION

## SMART DEEP MEASUREMENT

- **Integrated Bluetooth® wireless technology**

- Long internal jaws for deep measurements
- Programmable button according to your needs
- Water protected for heavy-duty work with coolants and lubricants, protection rating IP67 according to IEC 60529,
- Automatic wake-up by moving the electronic on his frame. (Absolute System S.I.S)
- Sleeping mode after 10 min. of no use. (Absolute System S.I.S)
- Position memorized in sleeping mode, **Absolute System S.I.S\***
- Maximum speed of displacement : 2.5 m/sec
- Mechanical frame in stainless steel, hardened and grinded
- Great comfort of use thanks to its ergonomic frame



\* SIS description on page 5

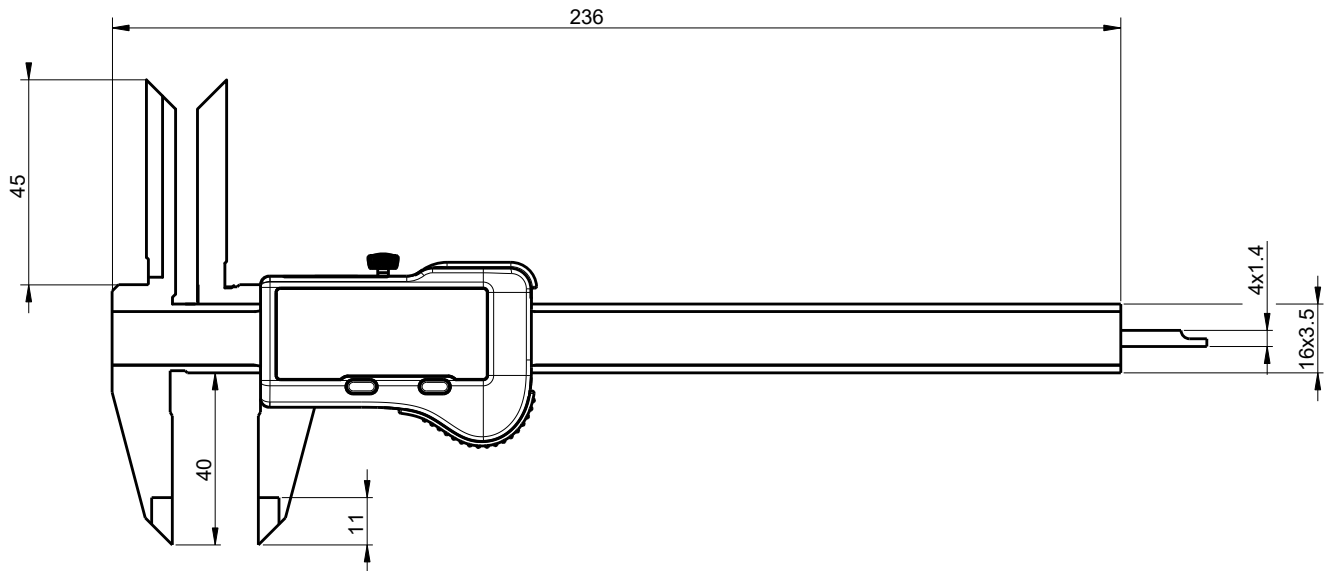
## Long internal jaws for deep measurements

# Special caliper

# S\_Cal EVO

## DIMENSIONAL DRAWING

## SMART DEEP MEASUREMENT



C

## TECHNICAL SPECIFICATIONS

		<b>810.1603</b>
Measuring range	mm	150
Max. Error G	µm	20 <sup>1)</sup>
Depth rod	mm	4 x 1.4
Protection rating according to IEC 60529		IP67
Output data		Bluetooth® wireless technology*
Functions		Zero setting, Preset (max 999.99), mm/inch, Hold, Data
Smart Inductive Sensor		●

<sup>1)</sup> > 100 mm : 30 µm / DIN 862

# Special caliper

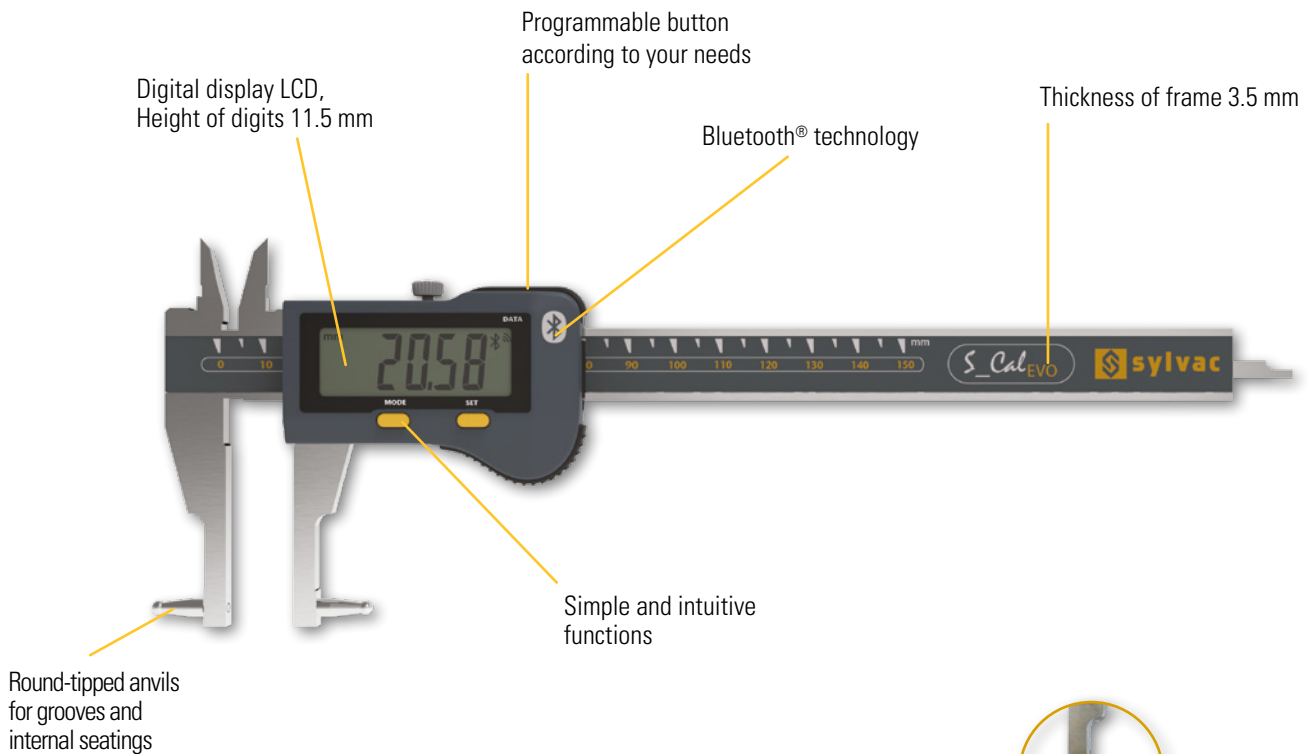
# S\_Cal EVO

## DESCRIPTION

## SMART POINTS JAWS

- **Integrated Bluetooth® wireless technology**

- Interchangeable round polished anvils for measuring internal grooves
- Programmable button according to your needs
- Water protected for heavy-duty work with coolants and lubricants, protection rating IP67 according to IEC 60529,
- Automatic wake-up by moving the electronic on his frame. (Absolute System S.I.S)
- Sleeping mode after 10 min. of no use. (Absolute System S.I.S)
- Position memorized in sleeping mode, **Absolute System S.I.S\***
- Maximum speed of displacement : 2.5 m/sec
- Mechanical frame in stainless steel, hardened and grinded
- Great comfort of use thanks to its ergonomic frame



M2.5



## Interchangeable anvils



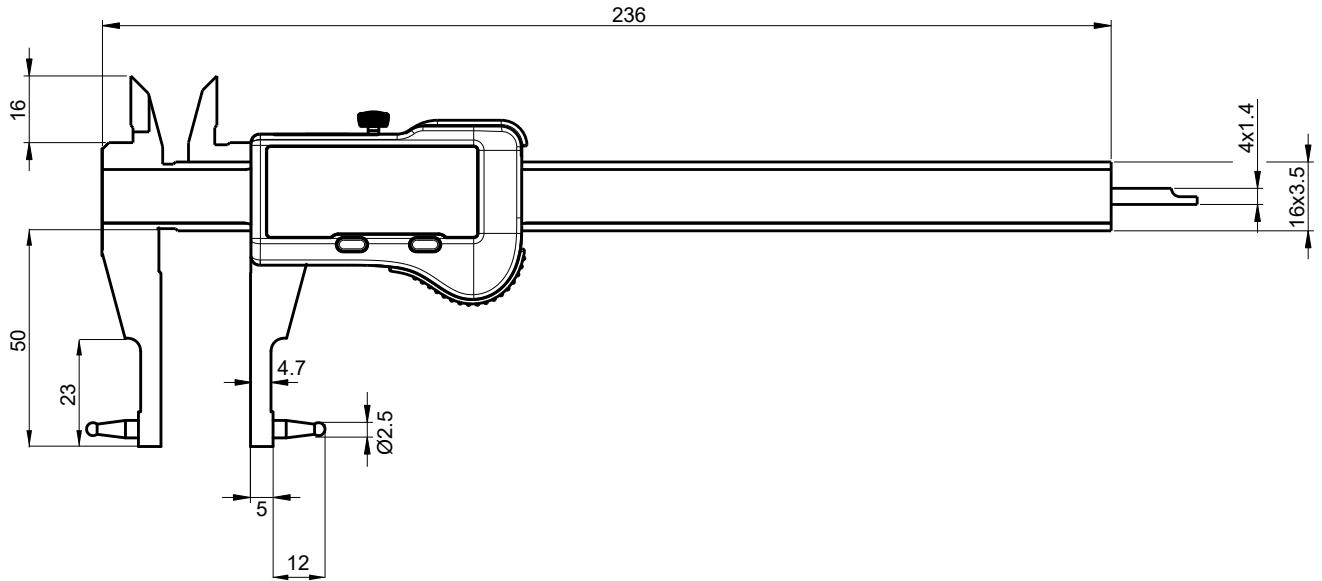
\* SIS description on page 5

# Special caliper

# S\_Cal EVO

## DIMENSIONAL DRAWING

## SMART POINTS JAWS



C

## TECHNICAL SPECIFICATIONS

		810.1601
Measuring range	mm	150
Max. Error G	µm	20 <sup>1)</sup>
Depth rod	mm	4 x 1.4
Protection rating according to IEC 60529		IP67
Output data		Bluetooth® wireless technology*
Functions		Zero setting, Preset (max 999.99), mm/inch, Hold, Data
Smart Inductive Sensor		●

<sup>1)</sup> > 100 mm : 30 µm / DIN 862



Partkey to screw/unscrew  
the anvils

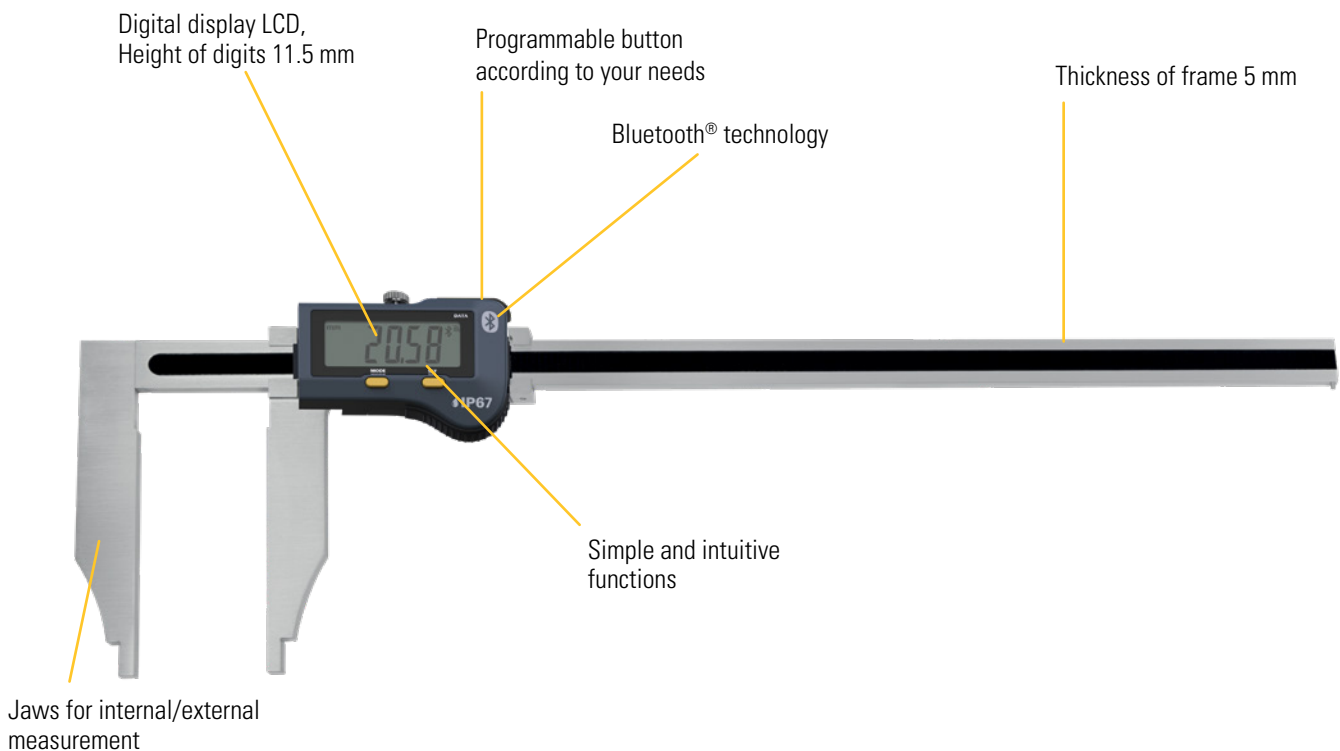
# Caliper mid size

# S\_Cal EVO Form E

## DESCRIPTION

## MID SIZE CALIPER R5

- **Integrated Bluetooth® wireless technology**
- Mid size caliper r5 for internal/external measurement
- Programmable button according to your needs
- Water protected for heavy-duty work with coolants and lubricants, protection rating IP67 according to IEC 60529,
- Automatic wake-up by moving the electronic on his frame. (Absolute System S.I.S)
- Sleeping mode after 10 min. of no use. (Absolute System S.I.S)
- Position memorized in sleeping mode, **Absolute System S.I.S\***
- Maximum speed of displacement : 2.5 m/sec
- Mechanical frame in stainless steel, hardened and grinded
- Great comfort of use thanks to its ergonomic frame



## Mid size caliper



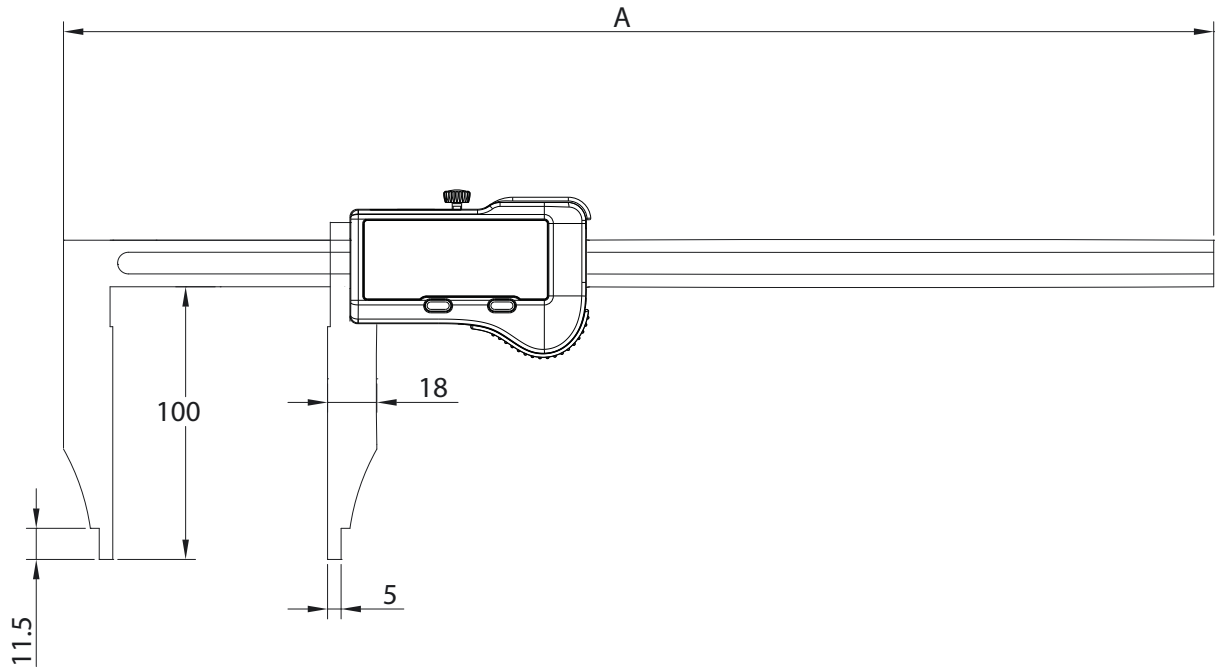
\* SIS description on page 5

# Caliper mid size

# S\_Cal EVO Form E

DIMENSIONAL DRAWING

MID SIZE CALIPER R5



C

## TECHNICAL SPECIFICATIONS

		810.1546
Measuring range	mm	300
Accuracy	mm	0.03
Resolution	mm	0.01
A	mm	495
Bar section	mm	17x5
Protection rating according to IEC 60529		IP67
Output data		Bluetooth® wireless technology*
Functions		Zero setting, Preset (max 999.99), mm/inch, Hold, Data
Smart Inductive Sensor		●



# Caliper mid size

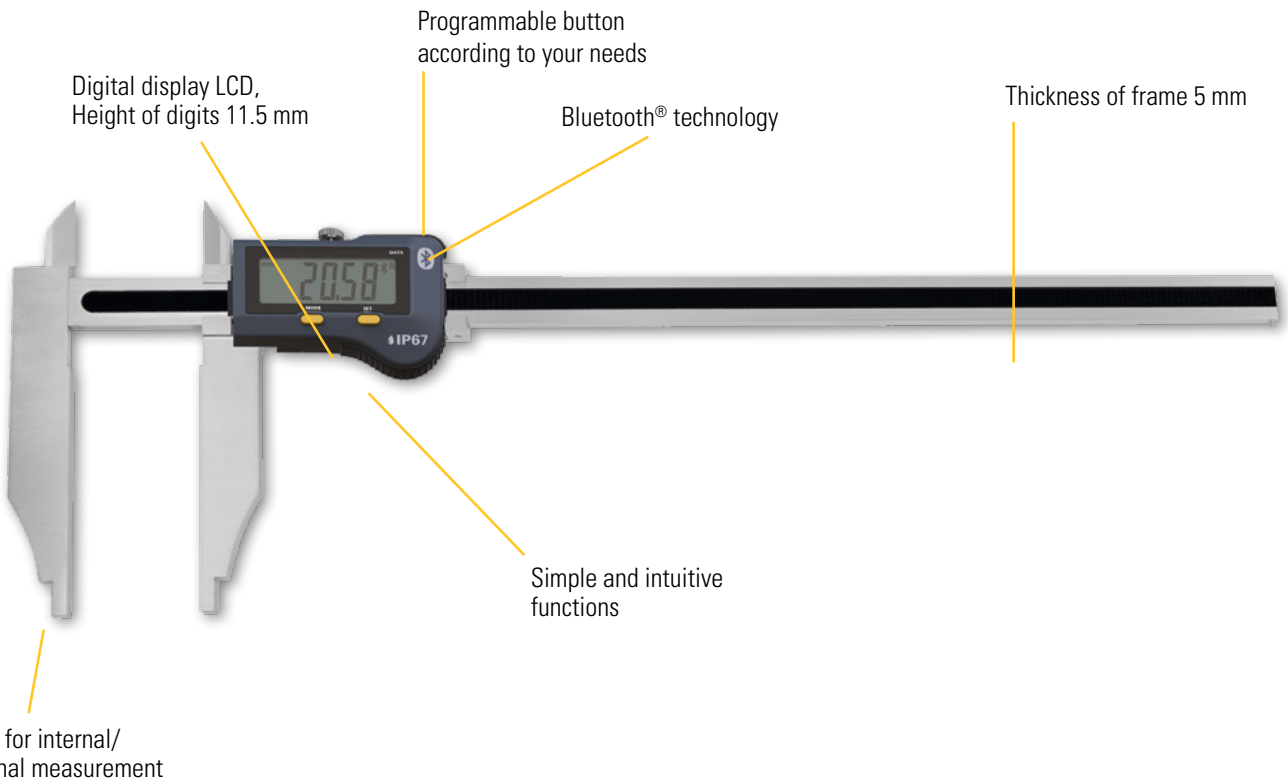
# S\_Cal EVO Form B

## DESCRIPTION

## MID SIZE CALIPER R5 WITH UPPER JAWS

- **Integrated Bluetooth® wireless technology**

- Mid size caliper r5 for internal/external measurement
- Programmable button according to your needs
- Water protected for heavy-duty work with coolants and lubricants, protection rating IP67 according to IEC 60529,
- Automatic wake-up by moving the electronic on his frame. (Absolute System S.I.S)
- Sleeping mode after 10 min. of no use. (Absolute System S.I.S)
- Position memorized in sleeping mode, **Absolute System S.I.S\***
- Maximum speed of displacement : 2.5 m/sec
- Mechanical frame in stainless steel, hardened and grinded
- Great comfort of use thanks to its ergonomic frame



## Mid size caliper with upper jaws



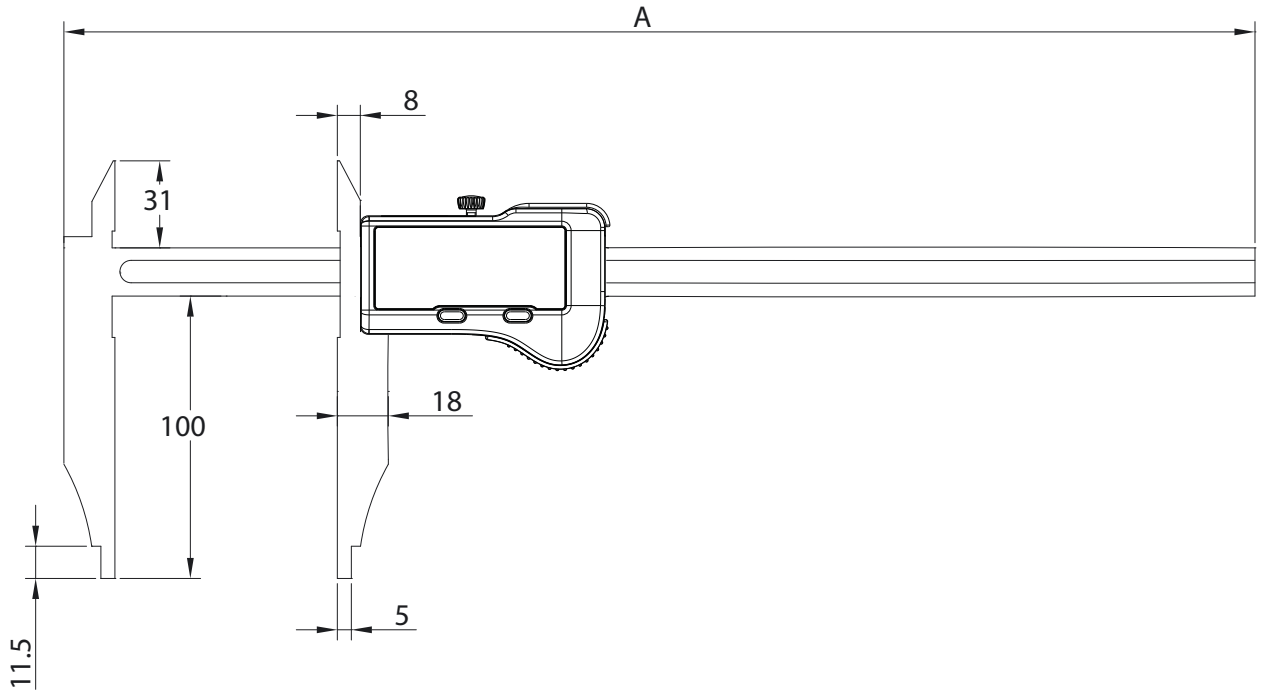
\* SIS description on page 5

# Caliper mid size

# S\_Cal EVO Form B

DIMENSIONAL DRAWING

MID SIZE CALIPER R5 WITH UPPER JAWS



## TECHNICAL SPECIFICATIONS

		810.1556	810.1558
Measuring range	mm	300	500
Accuracy	mm	0.03	
Resolution	mm	0.01	
A	mm	495	595
Bar section	mm	17x5	
Protection rating according to IEC 60529		IP67	
Output data		Bluetooth® wireless technology*	
Functions		Zero setting, Preset (max 999.99), mm/inch, Hold, Data	
Smart Inductive Sensor		●	