

Bench table

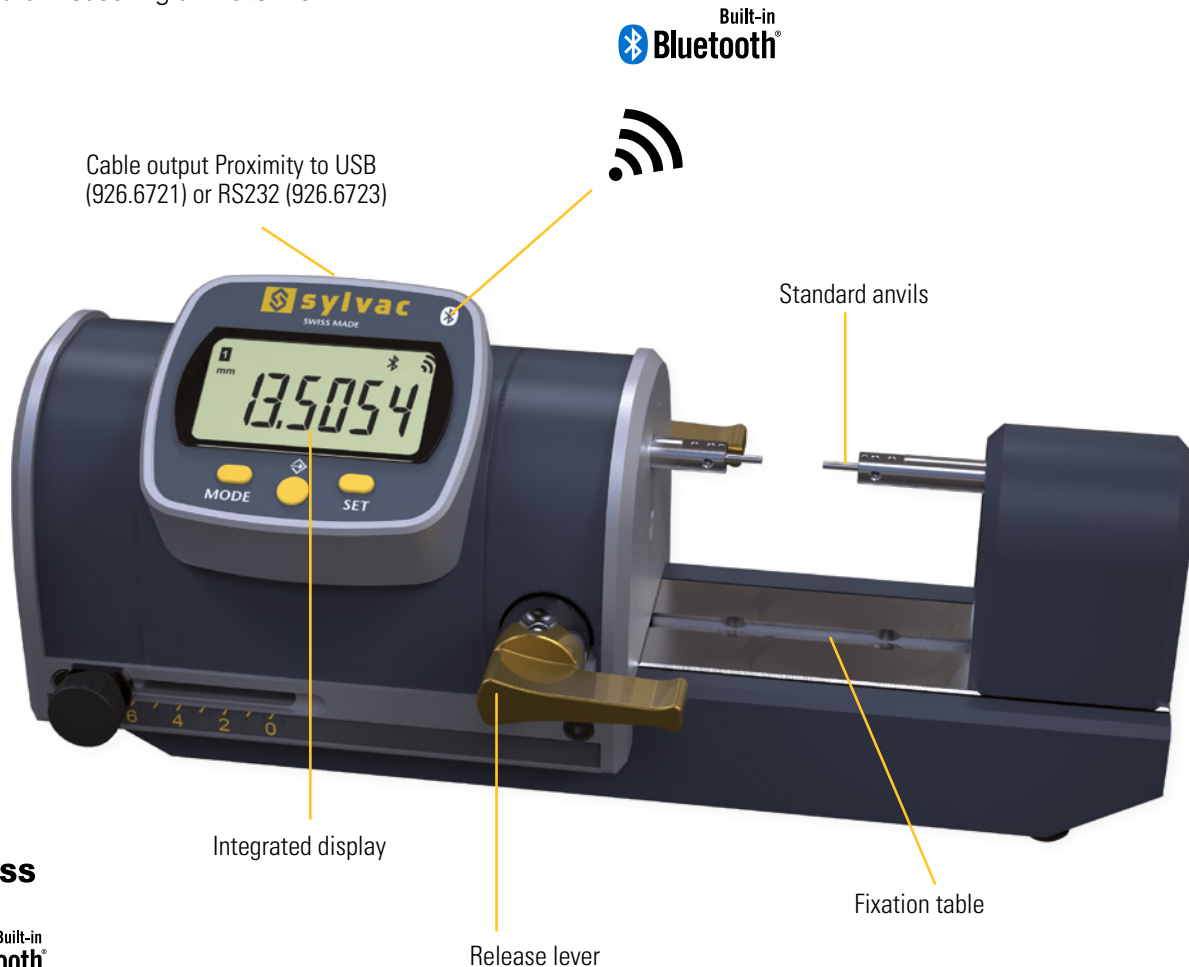
PS16 V2

DESCRIPTION

SMART

- **Integrated Bluetooth® Wireless technology**

- Brand new design with integrated display resolution 0.1µm
- The bench tables PS16 V2 are designed to check dimensions up to 50 mm
- These bench tables can be equipped with different kind of tables to fit your needs as well as with several types of anvils of any shapes
- A ball bearing, as well as many other features and accessories make these tables a must for your workshop or your inspection room
- Adjustable measuring force
- Led tolerances status
- Data output USB and Proximity
- Standard measuring anvils Ø 1.5 mm



SWISS MADE

Built-in Bluetooth

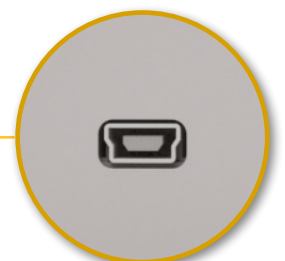
USB

PROXIMITY

WATER RESISTANT

IP67

Cable output mini-USB to USB (926.6001)

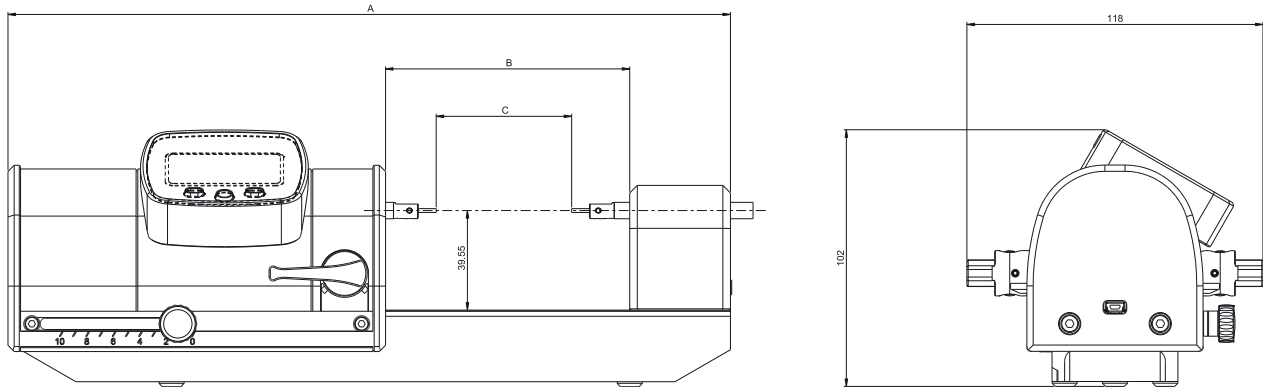


Bench table

PS16 V2

DIMENSIONAL DRAWINGS

SMART



TECHNICAL SPECIFICATIONS

External and internal measurement		808.1231	808.1232
Max. Capacity C	mm	25	50
Max. Error	µm	1.5	2.0
Repeatability	µm	0.2	0.2
Resolution	µm	0.1	0.1
Measuring force (Adjustable)	N	0.1 - 0.6 ¹⁾	
Weight	kg	3.6	4.2
Output data		Bluetooth® wireless technology* / RS232 / USB	
Anvils clamping dimension	mm	Ø 1.5	
Cary compatibility		•	
A	mm	232	287
B	mm	66	97

¹⁾ ± 20%

BASIC INSTRUMENT

- Instrument according to technical specifications
- Instruction manual
- Lithium battery CR2477 included
- Adapter for Lithium battery CR2032
- Calibration certificate
- Table not included
- Anvils Ø 1.5mm (908.2175)
- Dust cover

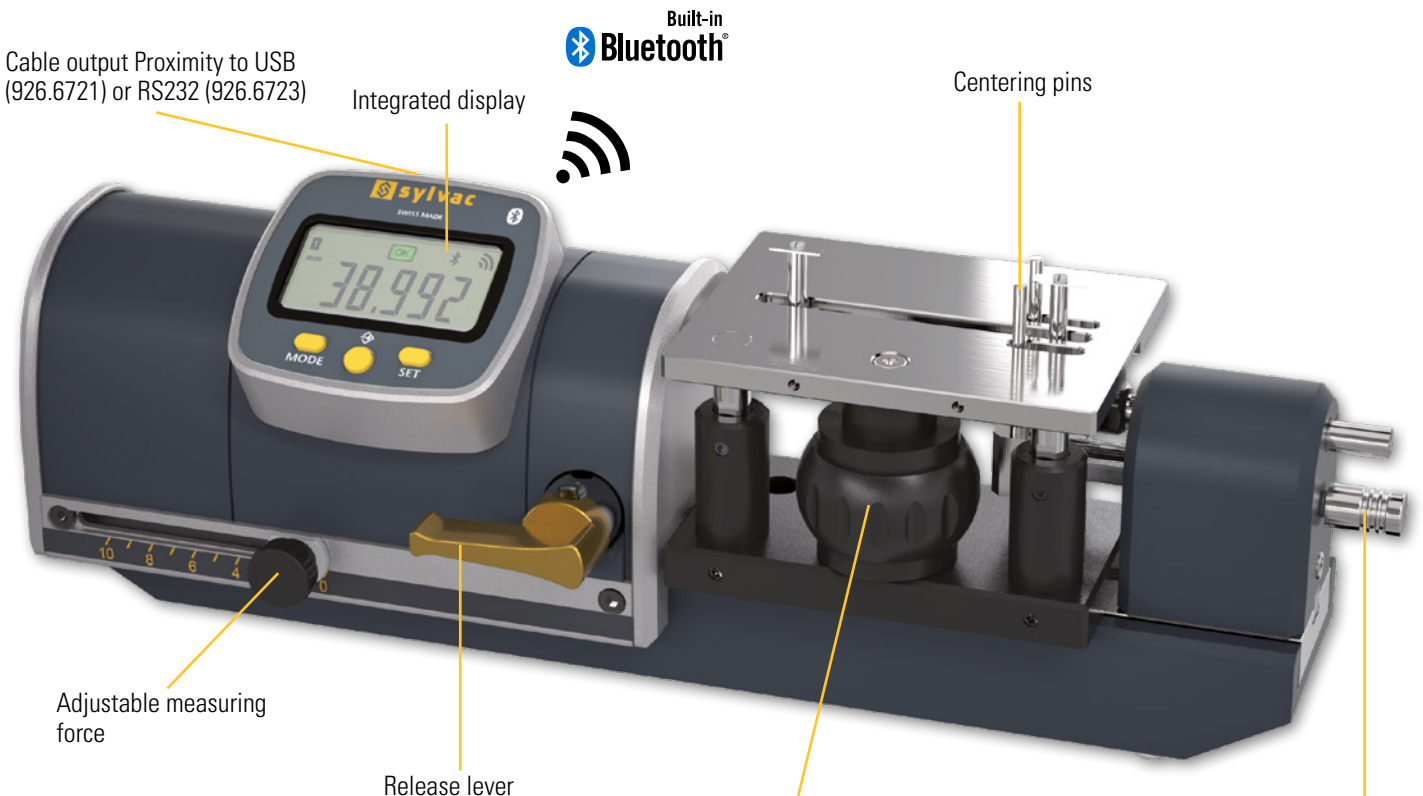
Bench table

PS16 V2 LV

DESCRIPTION

SMART

- LV version are designed to check internal dimensions up to 70 mm (depends on model)
- **Integrated Bluetooth® Wireless technology**
- Brand new design with integrated display resolution 0.1µm
- 2 points measurement with centering pins
- Table height adjustable up to 20mm
- Adjustable measuring force
- Led tolerances status
- Data output USB and Proximity
- Standard measuring anvils 0.4 mm



SWISS MADE

Built-in Bluetooth®

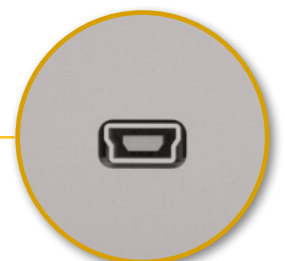
USB

PROXIMITY

WATER RESISTANT

IP67

Cable output mini-USB to USB (926.6001)

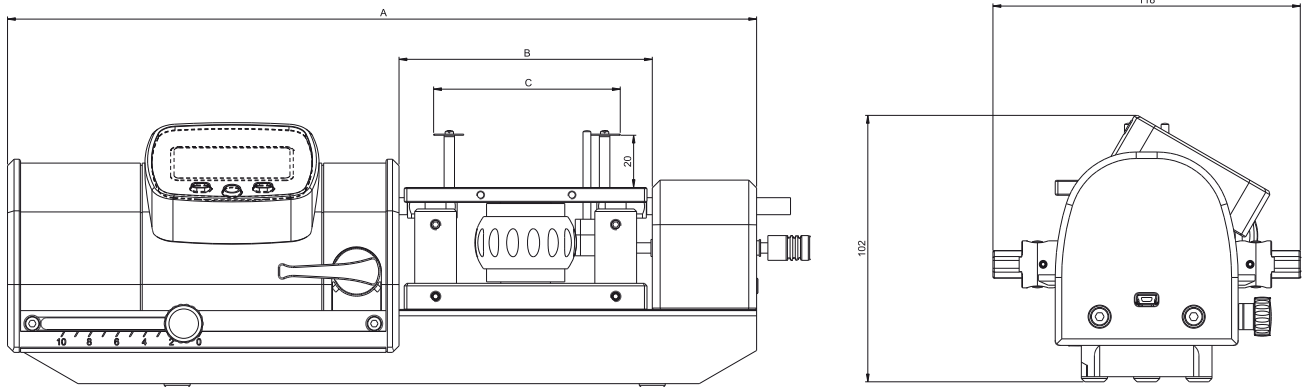


Bench table

PS16 V2 LV

DIMENSIONAL DRAWINGS

SMART



TECHNICAL SPECIFICATIONS

Internal measurement		808.1233	808.1234
Max. Capacity C	mm	Ø 12 - 62	Ø 24 - 70
Max. Error	µm	6.0	6.0
Repeatability	µm	1.5	1.5
Resolution	µm	0.1	0.1
Measuring force (Adjustable)	N	0.1 - 0.6 ¹⁾	
Weight	kg	5.1	5.1
Output data		Bluetooth® wireless technology* / RS232 / USB	
Anvils clamping dimension	mm	Ø 1.5	

¹⁾ ± 20%

BASIC INSTRUMENT

- Instrument according to technical specifications
- Lithium battery CR2477 included
- Adapter for Lithium battery CR2032
- Instruction manual
- Calibration certificate
- Anvils 0.4mm and LVS table included
- Dust cover

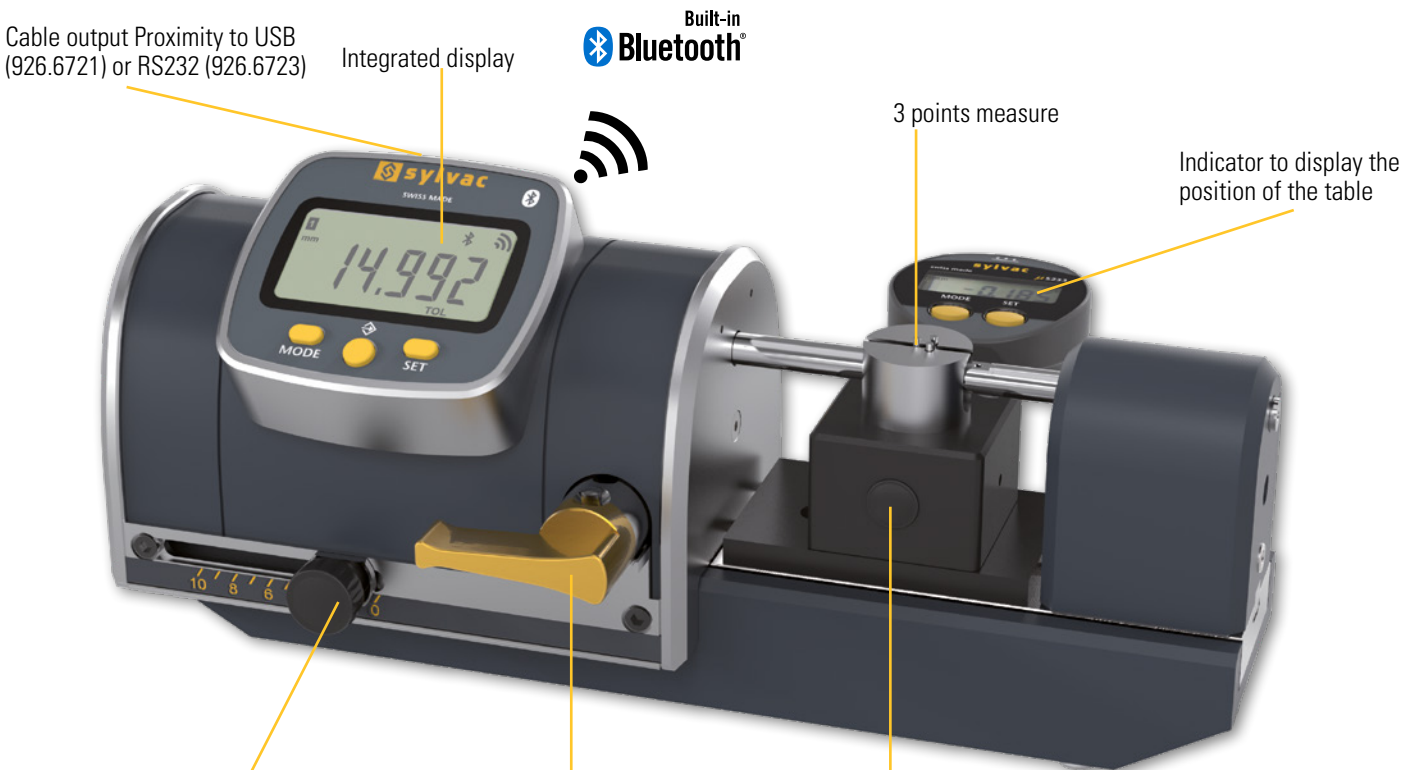
Bench table

PS16 V2 3-Points

DESCRIPTION

SMART

- 3 points version are designed to check internal dimensions of 0.8mm up to 12.5mm
- **Integrated Bluetooth® Wireless technology**
- Customized version based on the components to measure available on request (provide drawing)
- 3-points measurement with exact calculation of the diameter by electric function
- Calibration with two setting rings corresponding to the diameters MIN and MAX of the measuring range
- Table with fine adjustment in Z axis (height), position adjustable on 0-3 mm wit indicator.
- Adjustable measuring force
- Led tolerances status
- Data output USB and Proximity
- Set including: bench table PS16VP25 with integrated probe, table, anvils and 2 setting rings



SWISS MADE

Built-in **Bluetooth**

USB

PROXIMITY

WATER RESISTANT

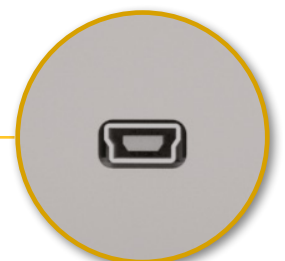
IP67

Adjustable measuring force

Release lever

3 points table

Cable output mini-USB to USB (926.6001)

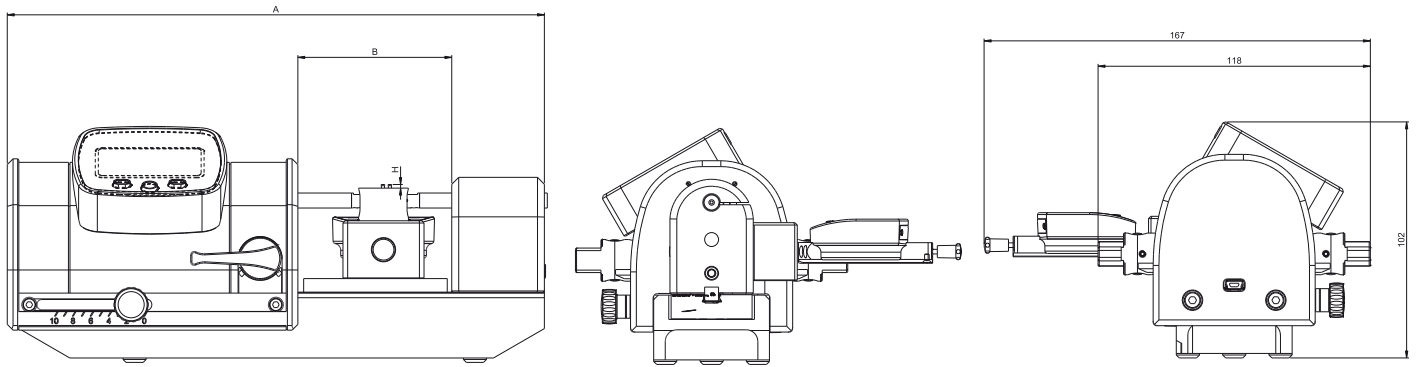


Bench table

PS16 V2 3-Points

DIMENSIONAL DRAWINGS

SMART



TECHNICAL SPECIFICATIONS

External and internal measurement		808.1335	808.1336	808.1337	808.1338	808.1339
Max. Capacity C	mm	Ø0.8-1.3	Ø1.3-2.5	Ø2.5-4.0	Ø4.0-8.0	Ø8.0-12.5
Max. Error	µm	1.5				
Repeatability	µm	0.2				
Resolution	µm	0.1				
Measuring force (Adjustable)	N	0.1 - 0.6 ¹⁾				
Weight	kg	4.1				
Data output		Bluetooth® wireless technology* / RS232 / USB				
Anvils clamping dimension	mm	Ø1.5				
A	mm	232				
B	mm	60				

¹⁾ ± 20%

BASIC INSTRUMENT

- Instrument according to technical specifications
- Lithium battery CR2477 included
- Adapter for Lithium battery CR2032
- Instruction manual
- Calibration certificate
- Table and anvils according to technical specification
- Mini indicator and 2 setting rings included
- Dust cover



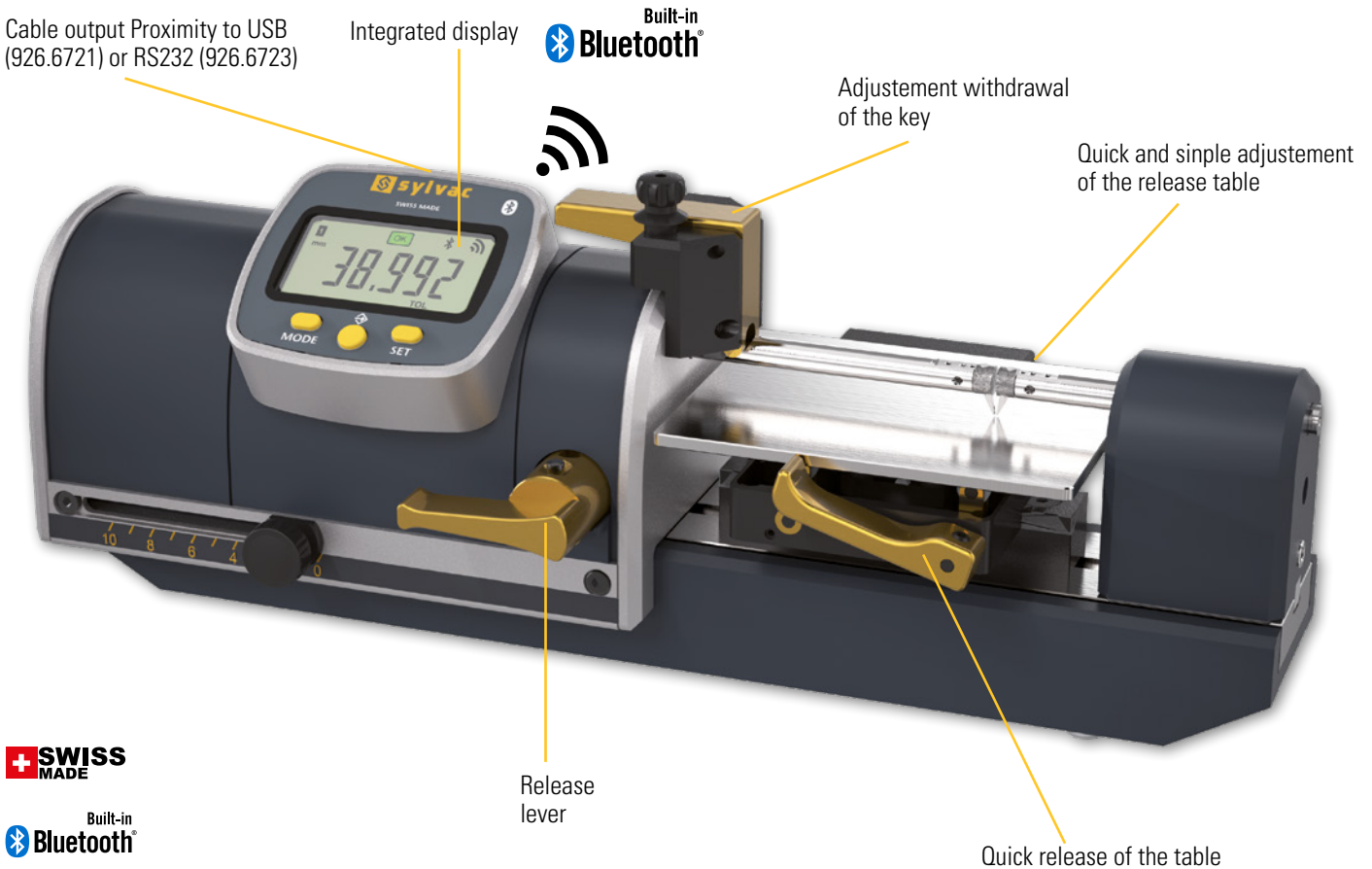
Bench table

PS16 V2 Goutte

DESCRIPTION

SMART

- Goutte version designed to measure small pivot on watch plates (gouttes) or on parts requiring an important clearance to load the components on the table
- **Integrated Bluetooth® Wireless technology**
- Adjustable and retractable table with a lever allowing to place and bring the piece in measuring position
- Quick and simple adjustment of the release table and the withdrawal of the key
- Customized anvils manufactured based on the components to measure available on request (provide drawing)
- Adjustable measuring force
- Led tolerances status
- Data output USB and Proximity
- Set including: bench table, special table and anvils



SWISS MADE

Built-in **Bluetooth**

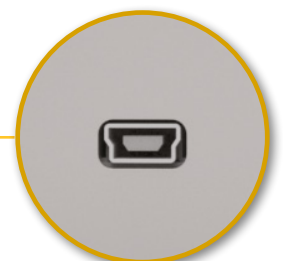
USB

PROXIMITY

WATER RESISTANT

IP67

Cable output mini-USB to USB (926.6001)

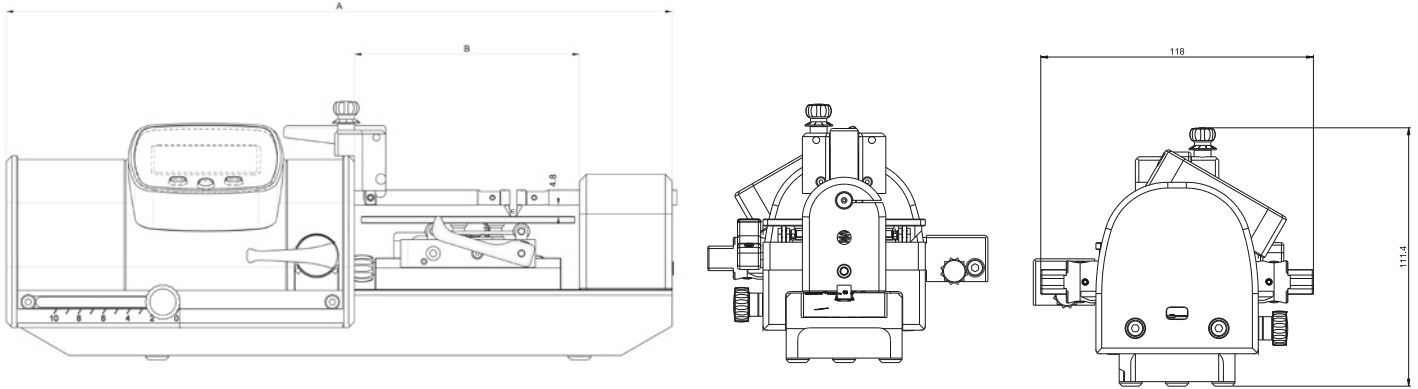


Bench table

PS16 V2 Goutte

DIMENSIONAL DRAWINGS

SMART



TECHNICAL SPECIFICATIONS

External measurement		808.5213	808.5413
Max. Capacity C	mm	25	50
Quick clearance	mm	7	7
Measuring range E	mm	3	3
Resolution	µm	0.1	0.1
Max. Error	µm	2.5	3.5
Repeatability	µm	0.5	0.5
Table dimensions (lxL)	mm	58x70	92x70
Measuring force (Adjustable)	N	0.1 - 0.6 ¹⁾	
Weight	kg	4.0	4.7
Output data		Bluetooth® wireless technology* / RS232 / USB	
A	mm	232	287
B	mm	66	97

¹⁾ ± 20%

BASIC INSTRUMENT

- Instrument according to technical specifications
- Lithium battery CR2477 included
- Adapter for Lithium battery CR2032
- Instruction manual
- Calibration certificate
- Table and anvils according to specification
- Dust cover