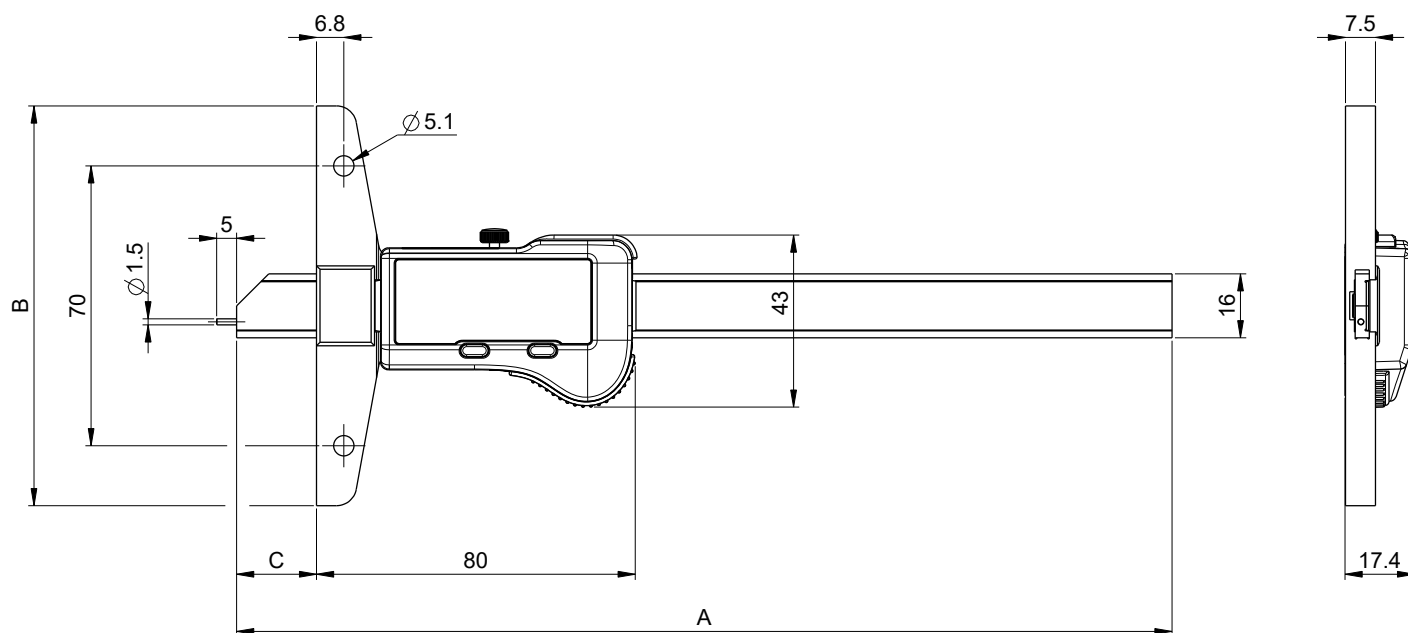


Depth gauge

S_Depth EVO Smart

DIMENSIONAL DRAWING

PIN Ø1.5



TECHNICAL SPECIFICATIONS

		812-1506	812-1526	812-1536
Measuring range	mm	150	200	300
Max. Error	µm	20 ¹⁾	30	30
Resolution	mm		0.01	
A	mm	234	284	384
B - Bridge	mm		100	
C	mm	0-152	0-202	0-302
Frame	mm		16x3.5	
Output data		Bluetooth® wireless technology*		
Functions		Zero setting, Preset (max 999.99), mm/inch, Hold, Data		
Smart Inductive Sensor		●		

¹⁾ > 100 mm : 30 µm / ISO13385-2

*** Up to 8 instruments connected per dongle #981-7100**
 More informations on How to use Bluetooth® leaflet SYL_1401_EN_BT