



Digital test indicator

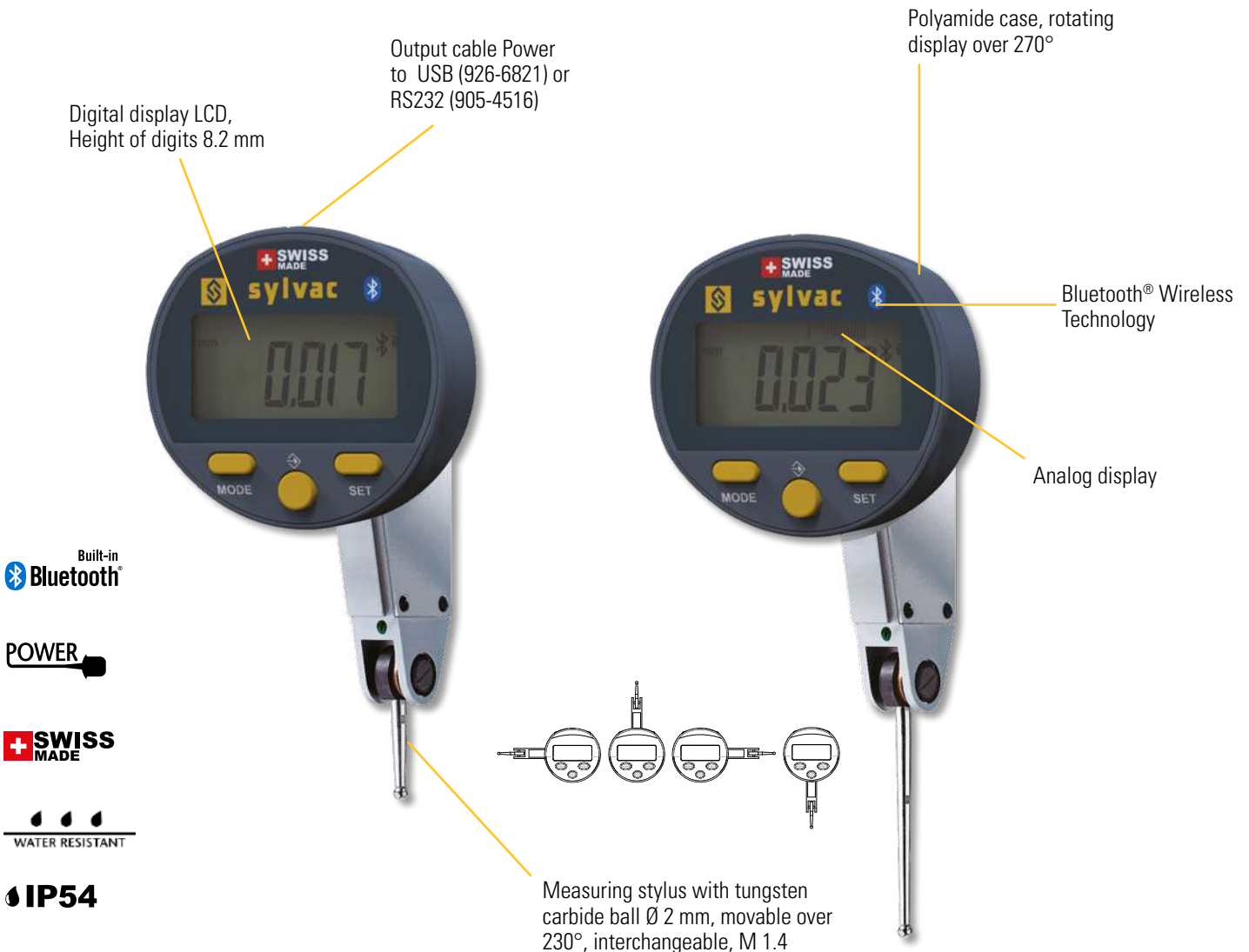
S_Dial TEST Smart

DESCRIPTION

- First digital test indicator with integrated Bluetooth® system
- Instrument for checking roundness and flatness
- Data transfer by sending a request or by foot pedal
- Compact housing Ø 45 mm rotatable by 270°.
- Revolutionary mechanical construction, without gears or gears, which eliminates hysteresis error
- Digital display resolution 0.001 mm with analogue scale
- M1.4 stylus with Ø 2 mm tungsten carbide ball, swivelling and interchangeable
- Available in 3 versions :
 - Model with stylus length 12 mm, measuring range 0.8 mm
 - Model with stylus length 36 mm, measuring range 2.0 mm
 - Combination model for 12 and 36 mm styli (supplied with both styli), measuring range 0.8/2.0 mm
- Protected against liquids IP54



B

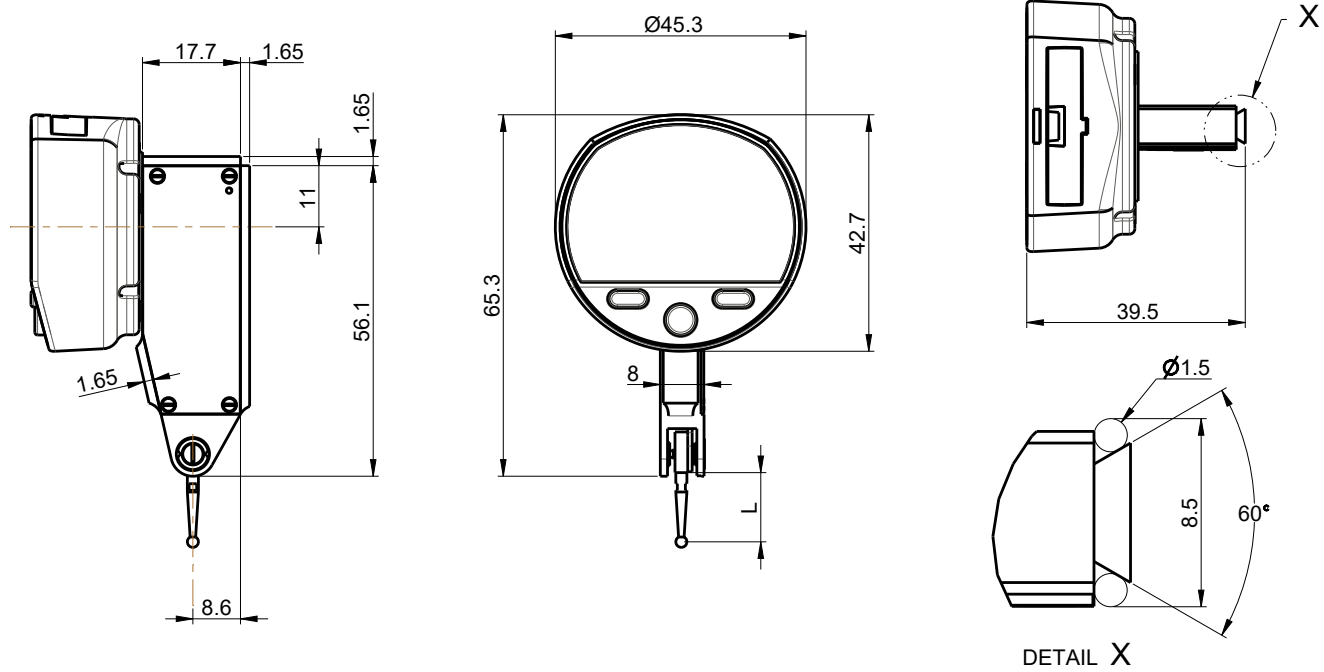




Digital test indicator

S_Dial TEST Smart

DIMENSIONAL DRAWING



TECHNICAL SPECIFICATIONS

		805-4321	805-4322	805-4323
Measurement capacity	mm	0.8	2.0	0.8 / 2.0
Stylus length L	mm	12.5	36.5	12.5 / 36.5
Accuracy f_e ($\alpha=0^\circ$)	μm	3	8	3 / 8
Total accuracy f_{ges} ($\alpha=0^\circ$)	μm	4	10	4 / 10
Reversibility f_u	μm	2	3	2 / 3
Resolution	mm	0.001mm / .00005"		
Repeatability f_w	μm	1		
Measuring force	N	0.15	0.06	0.15 / 0.06
Friction on probe orientation	N	4	1.6	4 / 1.6
Weight	g	70		
Protection rating according to IEC 60529		IP54		
Output data		Bluetooth® wireless technology* / RS232 / USB ¹⁾		
Zero setting		●		
min / max / delta display		●		
Analog display		●		
Selection of resolution		●		
Preset (0.01 resolution)		$\pm 99.999 \text{ mm} / \pm 3.99995 \text{ IN} (\pm 999.99 \text{ mm} / \pm 39.9995 \text{ IN})$		

¹⁾ see cables chapter

* Up to 8 instruments connected per dongle #981-7100

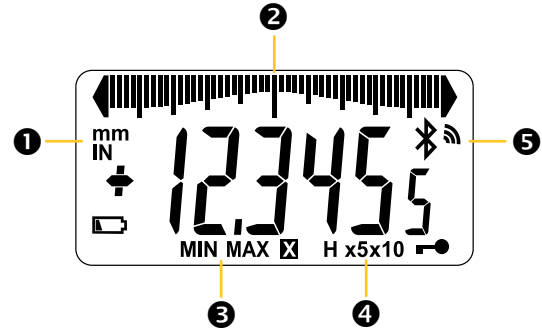
B

Digital test indicator

S_Dial TEST Smart

DISPLAY

- ❶ Direct mm/inch conversion
- ❷ Analog display
- ❸ Min/max/delta mode
- ❹ Analogic resolution display
- ❺ Bluetooth® technology



STANDARD DELIVERY

- Instrument according to technical specifications
- Lithium battery CR2032 included
- Quickstart
- Stem Ø 8 mm (905-2247)
- Clamping key for measuring button
- 2 contact points Ø2mm, 12.5 and 36.5mm (model 805-4332 only)

APPLICATIONS



Run-out measurement



Checking the alignment on milling machine.



Perpendicularity measurement with a S234 mounted on a Hi_Gage ONE