

DIGITAL TEST INDICATOR Ø45MM
S_DIAL TEST SMART

SWISS MADE
SIS Smart Inductive System

IP54

Discover our brand new S_Dial TEST Smart : the first digital lever indicator with Bluetooth® technology, protected against water and oil for the control of flatness and runout.



Ø45

Small diameter

Small dial diameter of 45mm with bigger display for easy reading.


Rotating display

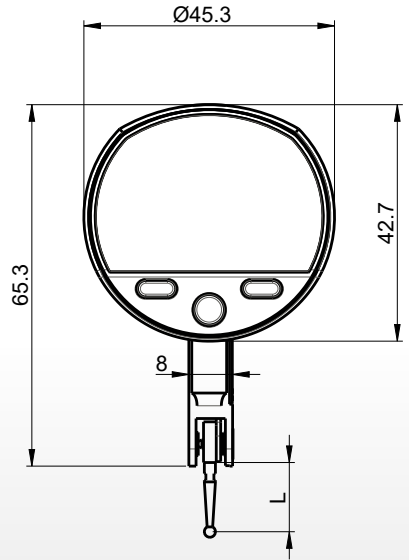
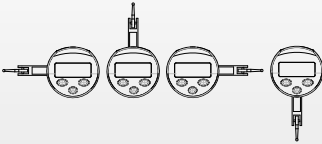
Rotating display over 270°.


Interchangeable

Available with interchangeable contact point 12.5mm/36.5mm.

TECHNICAL FEATURES

- Compact housing \varnothing 45 mm rotatable by 270°
- Data transfer via instrument button or foot pedal
- Revolutionary mechanical construction, without gears, which eliminates hysteresis error
- Digital display resolution 0.001 mm with analog scale
- M1.4 contact point with \varnothing 2 mm tungsten carbide ball, swivelling and interchangeable
- Available in 3 versions
- Protected against liquids IP54
- Functions : zero setting, min/max/delta, selection of resolution and preset



TECHNICAL DATA



		805.4321	805.4322	805.4323
Measuring capacity	mm	0.8	2.0	0.8 / 2.0
Contact point length L	mm	12.5	36.5	12.5 / 36.5
Accuracy f_e ($\alpha=0^\circ$)	μm	3	8	3 / 8
Total accuracy f_{gs} ($\alpha=0^\circ$)	μm	4	10	4 / 10
Reversibility f_u	μm	2	3	2 / 3
Repeatability f_w	μm	1		
Weight	g	70		
Analog display		✓	✓	✓
Interchangeable contact point		---	---	✓
Resolution	mm	0.001	0.001	0.001
Output data		Bluetooth® wireless Technology/USB/RS232		
Force	N	0.15	0.06	0.15 / 0.06
Protection		IP54	IP54	IP54

The new S_Dial TEST Smart, the must-have for workshop !

The Bluetooth® word mark and logos are registered trademarks owned by the Bluetooth SIG, Inc. and any use of such marks by Sylvac is under license. Other trademarks and trade names are those of their respective owners.