

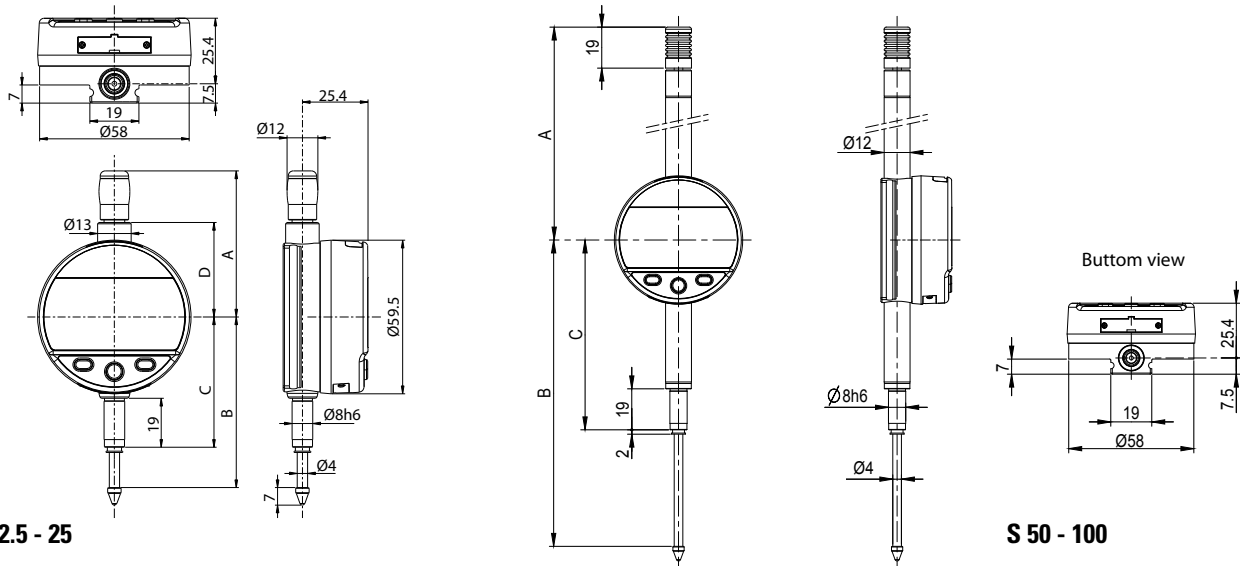


# Digital indicators

# S\_Dial WORK

## DIMENSIONAL DRAWINGS

## SMART



S 12.5 - 25

S 50 - 100

## TECHNICAL SPECIFICATIONS

		805.6301	805.6501	805.6621	805.6661
Measuring range	mm	12.5	25	50	100
Resolution	mm	0.001	0.001	0.001	0.001
Max. Error fe	µm	<b>3</b>	<b>4</b>	<b>5</b>	<b>6</b>
Repeatability	µm	2			
IP rating		IP54			
A	mm	56.7	69.4	121	172
B	mm	66.1	78.5	142	244
C	mm	50.5	50.5	88	139
D	mm	36.6	49.4	-	-
Output data		USB / RS232 / Bluetooth® wireless technology*			
Programmable by PC		●			
Standard functions (customized by PC)		mm/inch, ref I/II, preset (max 999.999) min/max/delta, tolerances, resolution, direction of measurement, multiplication factor, automatic or manual switch off, key lock			

<sup>1)</sup> ± 1 digit

## BASIC INSTRUMENT

## MEASURING FORCE

● Instrument according to technical specifications					
● Lithium battery CR2032 included					
● Instruction manual					
● Calibration certificate for instruments 0.001 mm					
		<b>12.5</b>	<b>25</b>	<b>50</b>	<b>100</b>
Standard	N	0.65 - 0.90	0.65 - 1.15	1.1 - 2.6	1.8 - 3.8
Low <sup>2)</sup>	N	0.4 - 0.55	0.45 - 0.9	---	---
High <sup>2)</sup>	N	1.0 - 1.6	0.9 - 1.8	---	---

Tolerance ± 20%, spindle in outgoing measurement position.  
<sup>2)</sup> on request

B

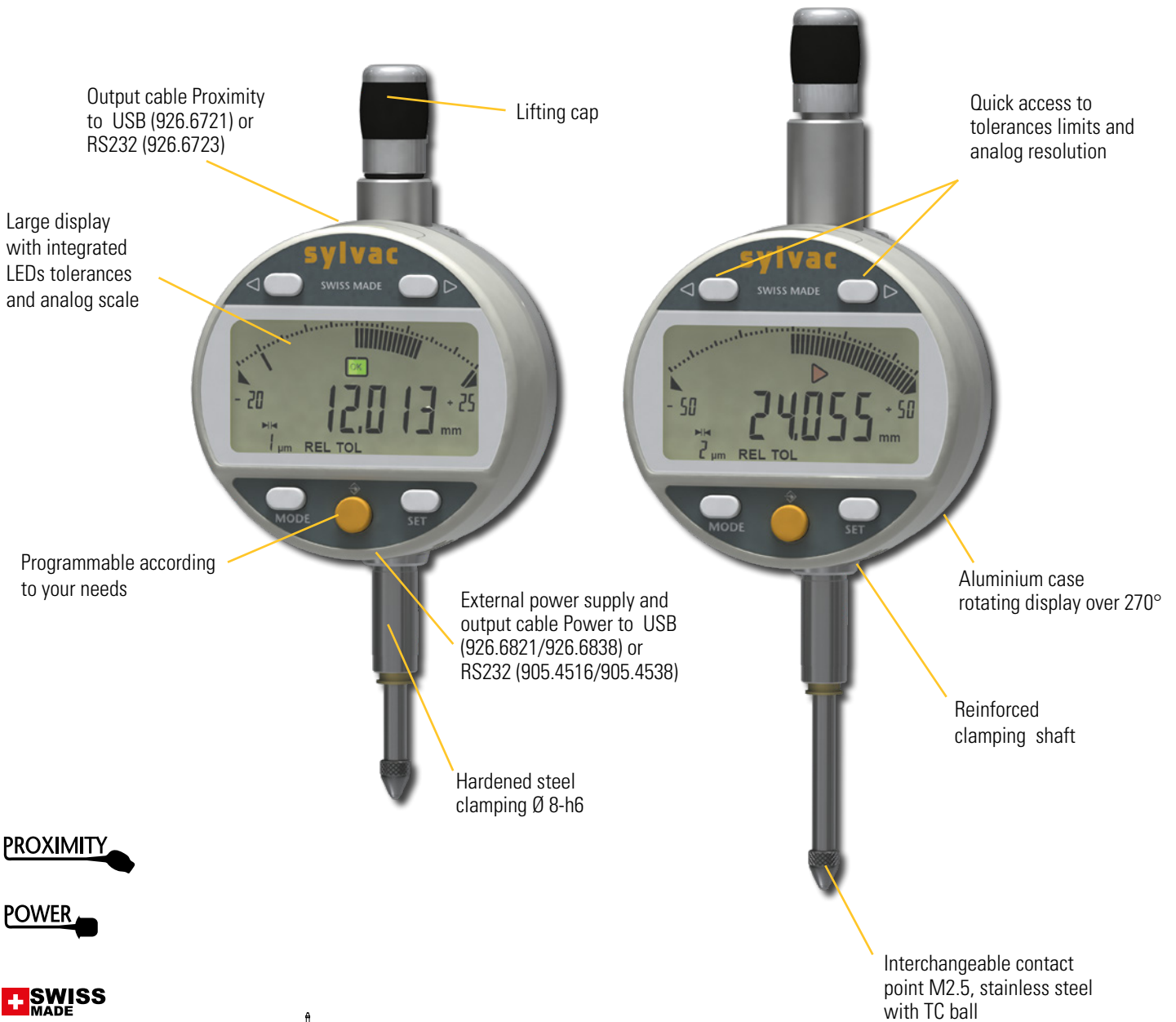
# Digital indicators

# S\_Dial WORK

## DESCRIPTION

ANALOG

- **Adaptive analog display (up to 0.2  $\mu\text{m}$  per segment)**
- Robust construction
- Water and coolant resistant
- New technology with configurable menus
- **Broad choice of functions (MIN/MAX/DELTA, TOL, Factor, PRESET, AUTO OFF, etc.)**
- Automatic wake-up and sleeping mode, **Absolute System S.I.S\***
- **Maximum error of 3  $\mu\text{m}$**

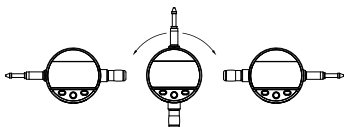


PROXIMITY

POWER

SWISS MADE

WATER RESISTANT



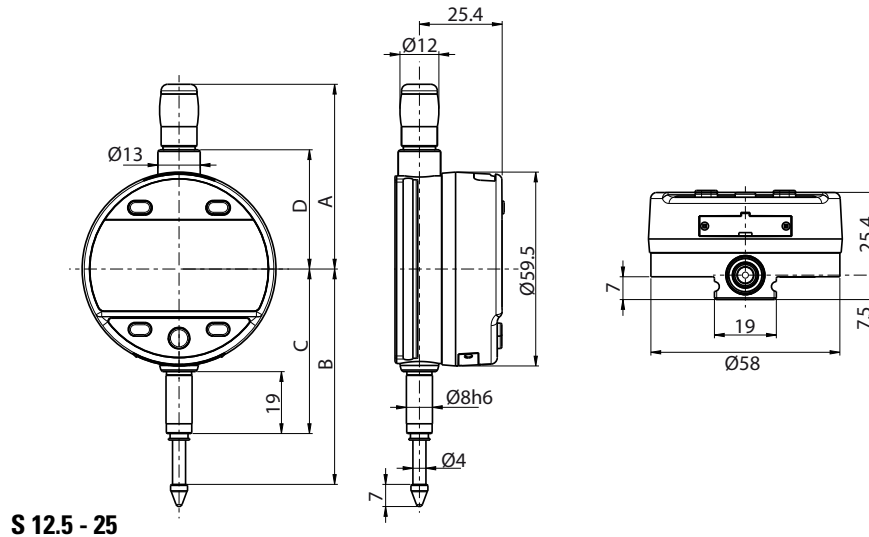
\* SIS description on page 5

# Digital indicators

# S\_Dial WORK

## DIMENSIONAL DRAWINGS

## ANALOG



## TECHNICAL SPECIFICATIONS

		805.5307	805.5507
Measuring range	mm	12.5	25
Resolution	mm	0.001	
Max. Error fe	µm	<b>3</b>	<b>4</b>
Repeatability	µm	2	
IP rating		IP54	
A	mm	56.7	69.4
B	mm	66.1	78.5
C	mm	50.5	50.5
D	mm	36.6	49.4
Output data		Bluetooth 805.5307/USB / RS232	
Programmable by PC		●	
Standard functions (customized by PC)		mm/inch, preset (max 999.999) min/max/delta, tolerances, resolution, direction of measurement, multiplication factor, automatic or manual switch off, key lock	

<sup>1)</sup> ± 1 digit

## BASIC INSTRUMENT

## MEASURING FORCE

- Instrument according to technical specifications
- Lithium battery CR2032 included
- Instruction manual
- Calibration certificate

		S 12.5	S 25
Standard	N	0.65 - 0.90	0.65 - 1.15
Low <sup>2)</sup>	N	0.4 - 0.55	0.45 - 0.9
High <sup>2)</sup>	N	1.0 - 1.6	0.9 - 1.8

Tolerance ± 20%, spindle in outgoing measurement position.

<sup>2)</sup> on request

B

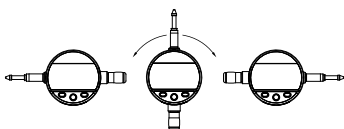
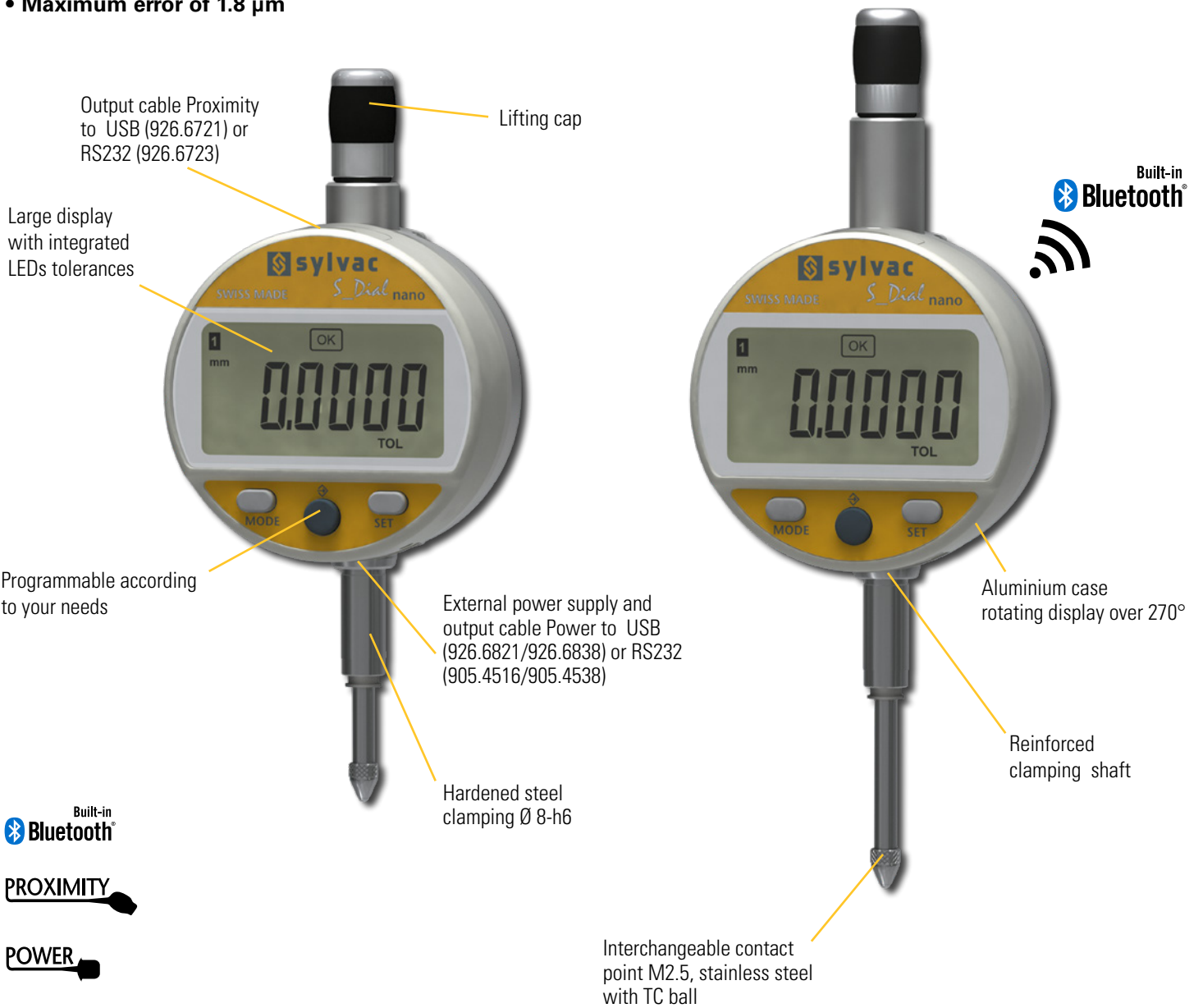
# Digital indicators

# S\_Dial WORK

## DESCRIPTION

## NANO & NANO SMART

- **0,1 µm resolution**
- Robust construction
- Water and coolant resistant
- New technology with configurable menus
- **Broad choice of functions (MIN/MAX/DELTA, TOL, Factor, PRESET, AUTO OFF, etc.)**
- Automatic wake-up and sleeping mode, **Absolute System S.I.S\***
- **Maximum error of 1.8 µm**



\* SIS Smart Inductive System description on page 5

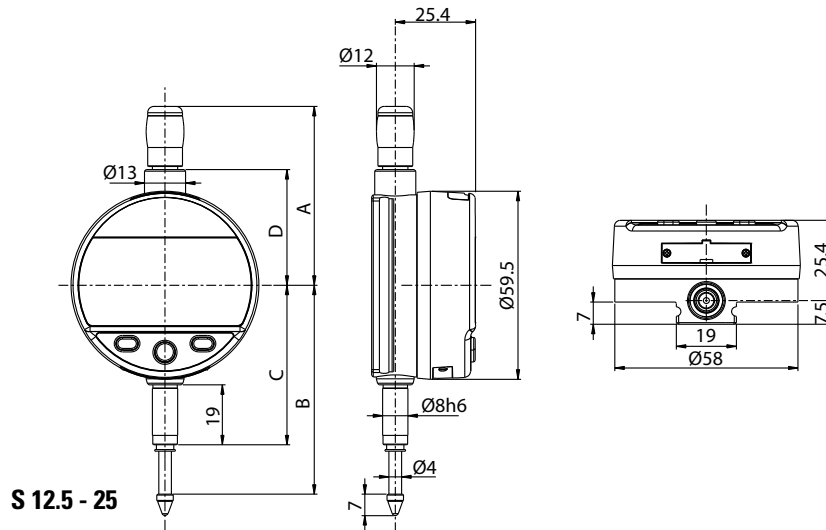
**Max error 1.8 µm**  
**Repeatability 0,5 µm**

# Digital indicators

# S\_Dial WORK

## DIMENSIONAL DRAWINGS

## NANO & NANO SMART



## TECHNICAL SPECIFICATIONS

		805.5306	805.5506	805.6306	805.6506
Measuring range	mm	12.5	25	12.5	25
Resolution	mm	0.0001	0.0001	0.0001	0.0001
Max. Error fe	µm	<b>1.8</b>	<b>2.2</b>	<b>1.8</b>	<b>2.2</b>
Repeatability	µm	0.5			
IP rating		IP54			
A	mm	56.7	69.4	56.7	69.4
B	mm	66.1	78.5	66.1	78.5
C	mm	50.5	50.5	50.5	50.5
D	mm	36.6	49.4	36.6	49.4
Output data		USB / RS232		USB / RS232 / Bluetooth® wireless technology*	
Programmable by PC		●			
Standard functions (customized by PC)		mm/inch, ref I/II, preset (max 999.999) min/max/delta, tolerances, resolution, direction of measurement, multiplication factor, automatic or manual switch off, key lock			

## BASIC INSTRUMENT

## MEASURING FORCE

		S 12.5	S 25
• Instrument according to technical specifications			
• Lithium battery CR2032 included			
• Instruction manual			
• Calibration certificate			
Standard	N	0.65 - 0.90	0.65 - 1.15
Low <sup>2)</sup>	N	0.4 - 0.55	0.45 - 0.9
High <sup>2)</sup>	N	1.0 - 1.6	0.9 - 1.8

Tolerance ± 20%, spindle in outgoing measurement position.  
<sup>2)</sup> on request

B

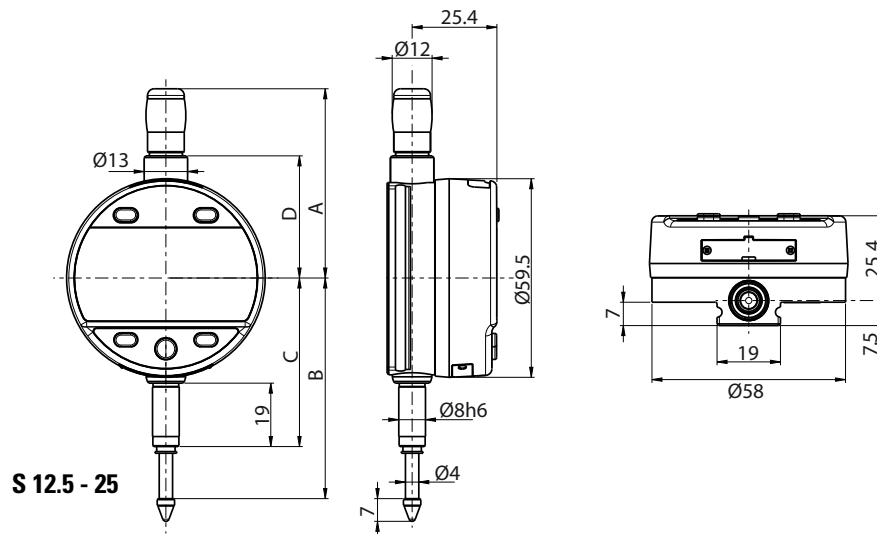


# Digital indicators

# S\_Dial WORK

## DIMENSIONAL DRAWINGS

## ANALOG NANO SMART



## TECHNICAL SPECIFICATIONS

		805.6307	805.6507
Measuring range	mm	12.5	25
Resolution	mm	0.0001	
Max. Error fe	µm	<b>1.8</b>	<b>2.2</b>
Repeatability	µm	0.5	
IP rating		IP54	
A	mm	56.7	69.4
B	mm	66.1	78.5
C	mm	50.5	50.5
D	mm	36.6	49.4
Output data	USB / RS232 / Bluetooth® wireless technology*		
Programmable by PC	●		
Standard functions (customized by PC)	mm/inch, preset (max 99.9999 or 999.999) min/max/delta, tolerances, resolution, direction of measurement, multiplication factor, automatic or manual switch off, key lock		

## BASIC INSTRUMENT

## MEASURING FORCE

- Instrument according to technical specifications
- Lithium battery CR2032 included
- Instruction manual
- Calibration certificate

		S 12.5	S 25
Standard	N	0.65 - 0.90	0.65 - 1.15
Low <sup>2)</sup>	N	0.4 - 0.55	0.45 - 0.9
High <sup>2)</sup>	N	1.0 - 1.6	0.9 - 1.8

Tolerance ± 20%, spindle in outgoing measurement position.

<sup>2)</sup> on request