

Protractor

S239 Smart

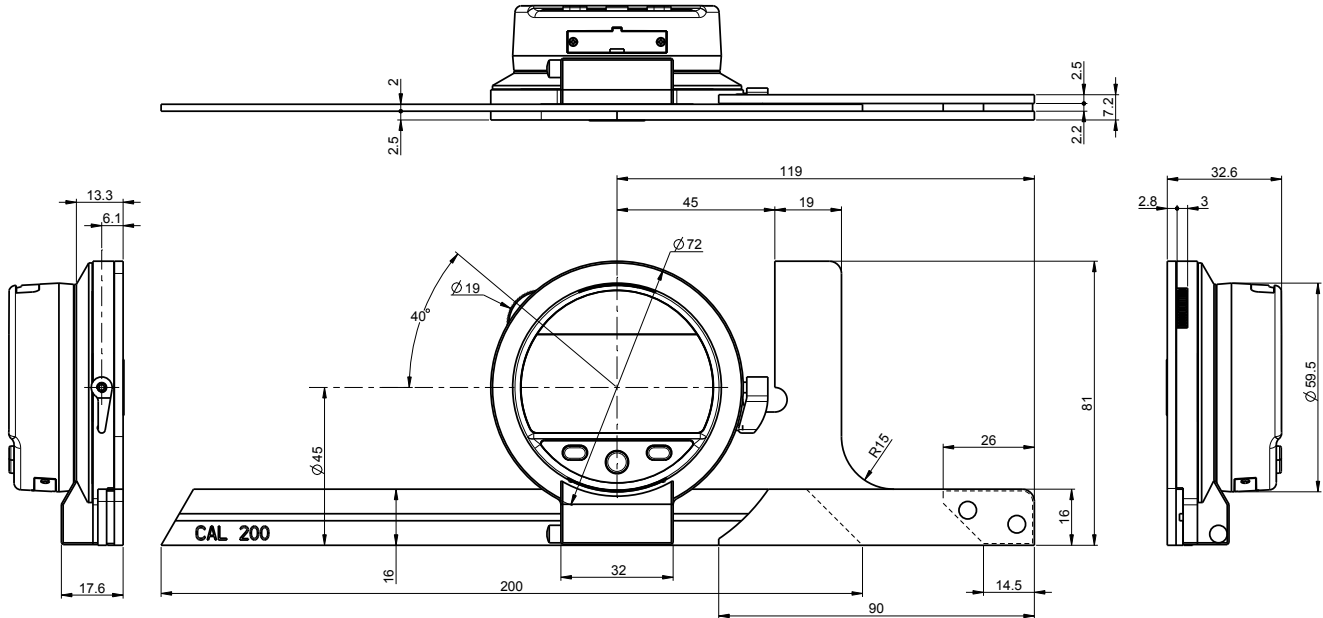
DESCRIPTION

- **Integrated Bluetooth® Wireless technology, Power & Proximity**
- Measuring range 1x360°, 2x180°, 4x90°
- Mechanical parts in stainless steel



E

DIMENSIONAL DRAWING



TECHNICAL SPECIFICATIONS

	820.1706
Measuring range	1x360°, 2x180°, 4x90°
Accuracy	4 minutes of arc / 0.06° / 0.0012 rad
Resolution	0.01° / 1 minute of arc (0°01') / 0.0001 rad
Repeatability	0.01°
Max. rotation speed	1080° / sec
Protection rating according to IEC 529	IP54
Output data	Bluetooth® wireless technology* / USB / RS232
Functions	Unit (<i>dEG, rAd or d-A</i>), reference, Preset, Measurement direction, mode MIN/MAX/ DELTA, tolerance display, switch off, keypad lock

¹⁾ see cables chapter

BASIC INSTRUMENT

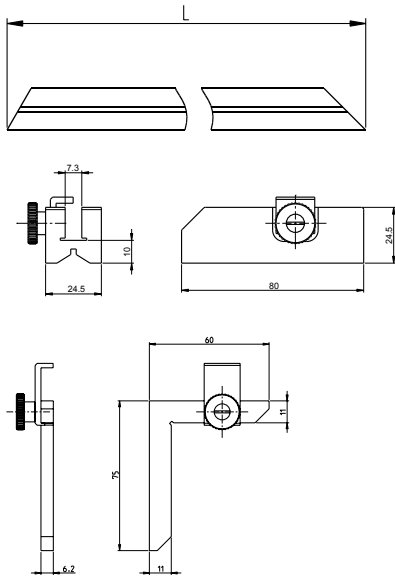
- Instrument according to technical specifications
- Wooden box ²⁾
- Scale 200 mm (820.2420)
- Lithium battery CR2032 included
- Instruction manual

²⁾ Fumigated, compatible ISPM 15 and NIMP 15

Protractor

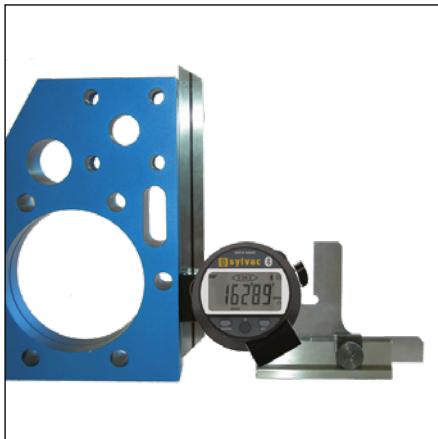
S239 Smart

ACCESSORIES

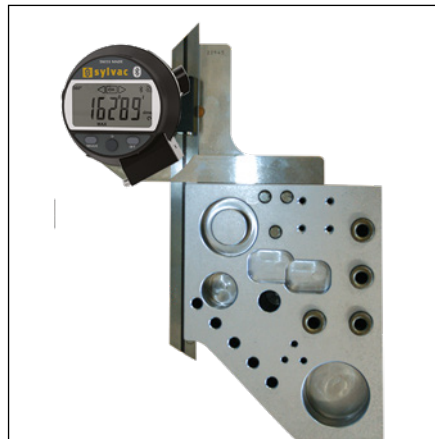


820.2420	Scale L 200 mm
820.2430	Scale L 300 mm
820.2450	Scale L 500 mm
820.2460	Stand for vertical application and small angular measurements
820.2461	Square for small angular measurements

APPLICATIONS



Measurement with accessory type 820.2460



Standard measurement



Measurement with accessory type 820.2461